



Processor Division
KOCH SUPPLIES

**HUMANELY
STUN
MULTIPLE
SPECIES:**

COMPLETE RESOURCE GUIDE FOR **HUMANE STUNNING**



OUR COMMITMENT TO HUMANE STUNNING



Bunzl Processor Division has established itself as the premier partner for humane handling in the food processing industry. Our commitment to this cause is unparalleled in the marketplace. We offer FREE ON-SITE CONSULTATION to assist customers in determining the right humane stunning equipment needs for each environment.



Chuck Bildstein
Humane Stunning and
Equipment Specialist

Chuck Bildstein, has been recognized as one of the top influences in Humane Animal Handling. He has worked closely with Temple Grandin, Ph.D., in the area of humane stunning and was part of the AMI team that traveled to Washington DC to present at a congressional briefing on animal welfare, and has lectured at various universities in the U.S. and Canada.

Bildstein is leading our efforts by working alongside many of our customers in their plants to significantly improve the welfare of their animals. Bildstein understands how critical equipment and training is to animal welfare and he takes pride in helping plants work through concerns and issues. In addition to helping processing plants, Bildstein also assists with on-farm euthanasia. BPD's equipment is extremely portable, proving it to be ideal for applications on the farm for producers as well as for veterinarians.

In addition, BPD has gone the extra mile by developing safety, maintenance and training videos which are available for FREE to help our customers learn proper procedures to keep workers safe on the job, and keep their stunning equipment running at the utmost efficiency.

ORDERING FROM US IS EASY:



Phone Orders 800-456-5624

- Monday - Friday, 7:00 am - 5:30 pm CST.
- Knowledgeable sales staff.



Fax Orders 800-329-5624

- Order 24 hours a day, 7 days a week.
- Easy to use.



Online Orders www.bunzlpd.com

- Order 24 hours a day, 7 days a week.
- Easy to use.
- Secure.



Email Orders kochsupplies@bunzlusa.com

- Order anytime.
- Easy to use.

NEED ASSISTANCE?

Call 800-456-5624 and
we'll be happy to help you.

TERMS AND CONDITIONS

For full Terms & Conditions information, visit our website www.bunzlpd.com

Prices

Any prices in this catalog are current prices at publication and are subject to change without notice. In the rare event of a printing error, we reserve the right to charge the correct price. Confirm current prices and availability by phone, fax, or e-mail. Prices are in U.S. dollars and do not include applicable taxes. Current up-to-date pricing can be found on our website www.bunzlpd.com.

Payment Terms



We accept Visa®, MasterCard®, American Express®, Discover® and checks by phone (via TeleCheck®).

We offer credit terms of Net 10 days for customers with a minimum monthly volume of \$500, subject to credit approval.

Satisfaction Guarantee

When purchasing from our catalog, you can rest assured that any product you order will meet your expectations – guaranteed! That's a promise from our friendly and knowledgeable Customer Service Representatives. However, in the rare case that any stocked supply item fails to meet with your expectations or approval, simply call our toll free number within 30 days and we can arrange for a repair, refund, exchange or credit towards your next purchase, except for those items noted as "No Return" items.

Call for warranty information on non-stock or special order items (i.e. equipment, doors, walls, etc.).
A restocking or repair fee may apply on certain special order items.

Returns

Please call our Customer Service Department for details and to obtain a return authorization number before returning items.

Shipping

Unless specified, we will determine the most expedient and efficient means of shipment based on dimensional weight - UPS or LTL (less than truckload). Alternate delivery may require additional cost. Appropriate charges will be added to your invoice. Additional Terms & Conditions apply.

Symbol Legend



MADE IN THE USA

This symbol highlights an item that is made in the USA.



These products are considered hazardous materials, and therefore could require special shipping. Call for details.



Certain items in this catalog are not returnable and have a 'No Return' symbol next to them.

HUMANE STUNNING

VISIT WWW.BUNZLPD.COM
FOR ADDITIONAL JARVIS®
PROCESSING SUPPLIES & EQUIPMENT

MEAT CUTTING

BONING MACHINERY

BAND SAWS

SLAUGHTER EQUIPMENT

CARCASS OPENING

SPLITTING SAWS

HOCK CUTTERS

SKINNING MACHINES

**NEED CASH SPECIAL
OR MAGNUM STUNNER
REPLACEMENT PARTS?**

Call 800-456-5624
for ordering assistance

TABLE OF CONTENTS

■ About Us	2
■ Power Actuated Stunner Chart	3
■ JARVIS® PAS-PS 22R Type-P Standard .22 Cal	4-5
■ JARVIS® PAS-PS 25S Type-P Standard .25 Cal	6-7
■ JARVIS® PAS-PHDS 25R Type-P Heavy Duty .25 Cal	8-9
■ JARVIS® PAS-PHDL 25R Type-P Heavy Duty, Long Bolt . . .	10-11
■ JARVIS® PAS-PCN 25R Type-P Concussion	12-13
■ JARVIS® PAS-P Veterinary Kit.	14-15
■ JARVIS® PAS-CCN 22R Type-C Concussion	16-17
■ JARVIS® PAS-CS 25S Type-C Standard .25 Cal	18-19
■ JARVIS® PAS-CL 25S Type-C Long Bolt .25 Cal.	20-21
■ JARVIS® PAS-CSHD 25S Type-C Super Heavy Duty	22-23
■ JARVIS® PAS-C RB 25R Type-C Retracting Bolt, .25 Cal . .	24-25
■ JARVIS® PAS-C IF 25S Type-C Handheld, Impact Fire . . .	26-27
■ JARVIS® PAS-CLH IF 25S Type-C Long Handle, Impact Fire .	26-27
■ JARVIS® PAS Stun Tester.	28
■ PAS Stun Check Instructions & Safety Procedures	29
■ JARVIS® PAS Power Load Cartridge Chart	30
■ PAS Safety Messages & Procedures.	31
■ PAS Type-P Safety & Maintenance Instructions	32
■ PAS Type-C Safety & Maintenance Instructions	33
■ PAS Type-C Concussion Safety & Maintenance Instructions	34
■ PAS Type-C Impact Fire Safety & Maintenance Instructions.	35
■ JARVIS® USSS-1 Pneumatic Stunner	36
■ JARVIS® USSS-2A, Non-Penetrating Pneumatic Stunner	37
■ JARVIS® USSS-1/2 Half-Size Pneumatic Stunner	38
■ JARVIS® Pneumatic Stunner Tester.	39
■ Body Protection.	40
■ Cleaning Tools	41
■ Safety & Protection Products	42-43
■ For more information	44-45

Bunzl Processor Division has transitioned to the Jarvis Products Corporation line of captive bolt equipment. We are proud to be able to offer this line of equipment to your company because of the added value to you – our customer. Some of these advantages:

MADE IN THE USA

All of the Jarvis® stunners, replacement parts & power loads are made in USA! Jarvis® is the first manufacturer of handheld, cartridge-fired captive bolt tools in the United States. The equipment is manufactured in Middletown, CT. By adding this new line of equipment, Jarvis® has been able to hire an additional 13 US employees with plans to hire more as the business increases worldwide. In addition, Jarvis has invested in several CNC machines to manufacture the parts necessary for this line.

SERVICE

We have 26 service professionals to assist in the maintenance of Jarvis® equipment. These service professionals, combined with Chuck Bildstein's technical expertise, will provide personalized service to your company that no other supplier can provide. In addition, we have a service technician on-location in the Bunzl Processor Division warehouse in Kansas City, MO with 23 years of experience repairing captive bolt tools.

SUPPORT

As always, on-site support and training are provided at no charge. This is an ongoing offer during the life of the equipment. This training includes expert support on safety, cleaning & maintenance of all equipment and supplies purchased. All Jarvis equipment sold comes with a ONE YEAR WARRANTY. The manufacturer's response time to customer needs is second to none in the industry.

COMPATIBILITY

Jarvis Products Corporation manufactures replacement parts that will work interchangeably with your Accles & Shelvoke tools. Give us a call to find the Jarvis® parts that will work seamlessly with your Cash Special or Magnum tools.

AVAILABILITY

Bunzl Processor Division inventories Jarvis® tools, replacement parts and power load cartridges in several warehouses located throughout the US. A majority of these items are located in Kansas City, MO and Omaha, NE. The lead time for these items is very short – in most cases it is a few days to replenish our inventory versus several weeks delivery from competitors.













About Jarvis Products Corporation

















Jarvis Products Corporation is the world's largest manufacturer of meat and poultry processing equipment. For 115 years, the Jarvis name has stood for quality, craftsmanship, dependability and ruggedness under difficult field conditions. Jarvis specializes in captive bolt stunners, band saws, slaughter equipment, carcass opening and splitting saws, hock cutters, automatic and robotic splitting machines, and skinning machines. It also supplies auxiliary equipment such as vacuum pumps, balancers, and a full line of hydraulic power units. Headquartered in a state-of-the-art 175,000 square-foot manufacturing facility, Jarvis employs 200 skilled craftsmen in Middletown, Connecticut, U.S.A. The Jarvis product line is sold and serviced worldwide through 19 subsidiaries on 6 continents as well as Jarvis' J26 Federation of distributors.

POWER ACTUATED STUNNERS (PAS) Comparison Chart

TYPE-P (Pistol Style)

MODEL	CALIBER / DESCRIPTION	APPLICATIONS	SEE PAGES
 PAS-PS 22R	.22 Caliber Standard Bolt		4-5
 PAS-PS 25S	.25 Caliber Standard Bolt		6-7
 PAS-PHDS 25R	.25 Caliber, Heavy Duty Standard Bolt		8-9
 PAS-PHDL 25R	.25 Caliber, Heavy Duty Long Bolt		10-11
 PAS-PCN 25R	.25 Caliber, Heavy Duty Concussion Head	 <50 lbs.	12-13
 PAS-PS 25R	.25 Caliber, Heavy Duty Veterinary Kit		14-15

TYPE-C (Cylinder Style)

MODEL	CALIBER / DESCRIPTION	APPLICATIONS	SEE PAGES
 PAS-CCN 22R	.22 Caliber, Poultry Tool Concussion Head	 <50 lbs.	16-17
 PAS-CS 25S	.25 Caliber, Standard Bolt		18-19
 PAS-CL 25S	.25 Caliber, Long Bolt		20-21
 PAS-CSHD 25S	.25 Caliber, Super Heavy Duty		22-23
 PAS-C RB 25R	.25 Caliber, Self-Retracting Bolt		24-25
 PAS-C IF 25S	.25 Caliber, Handheld Impact Fire		26-27
 PAS-CLH IF 25S	.25 Caliber, Long Handle Impact Fire		26-27

KEY



JARVIS®

Power Actuated Stunner (PAS) TYPE-P Standard Bolt



.22 Caliber, STANDARD BOLT
PAS-PS 22R

Item No. **3028 77041**

Jarvis No. 4144150

- Comfortable, ergonomically designed Type-P (Pistol style) handle.
- Diverse applications, from smaller to larger sized livestock.
- Renders animal insensible to pain before slaughter.
- Simple to use, operate and maintain.
- Ruggedly built for long service life.
- Different cartridge strengths available, depending on usage.
- Control Handle: Single Trigger, Manual Operation
- Penetrating Shaft Diameter: 0.45 inch (11.4 mm).
- Bolt Extension: 4.75 inches (121 mm).
- Overall Dimensions: 11.25 X 1.875 X 7.47 in (286 x 48 x 191 mm).
- Weight: 6.41-lbs (2.9 kg).

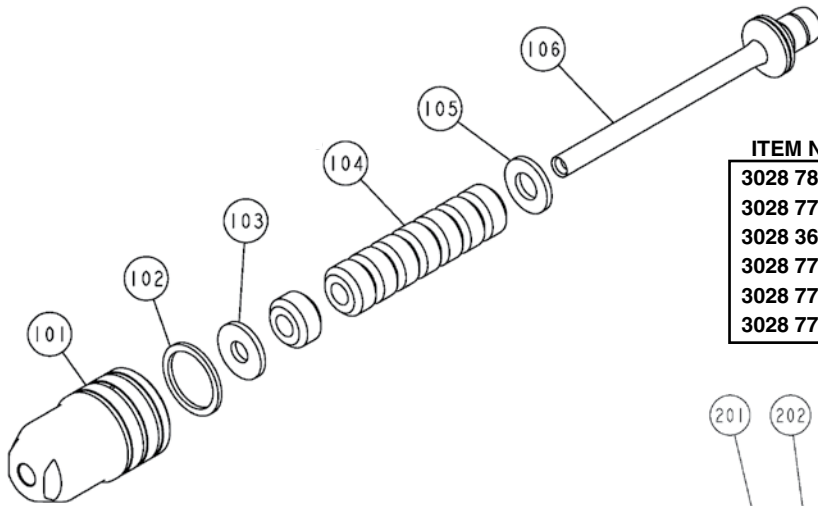


Carrying case & cleaning tools included.

Suggested Cartridges: Caliber .22R

Part No.	Description .22R	Rounds Per Pkg	Cartridge Photos	Applications
3028 35595	Pink Cartridge, 1.25 Grain	1000		
3028 35635	Pink Cartridge, 1.25 Grain	50		
3028 77125	Purple Cartridge, 2.5 Grain	1000		
3028 36045	Purple Cartridge, 2.5 Grain	50		
3028 77195	Green Cartridge, 3.0 Grain	1000		
3028 35645	Green Cartridge, 3.0 Grain	50		

CAUTION: Do not exceed cartridge strength for prescribed usage.



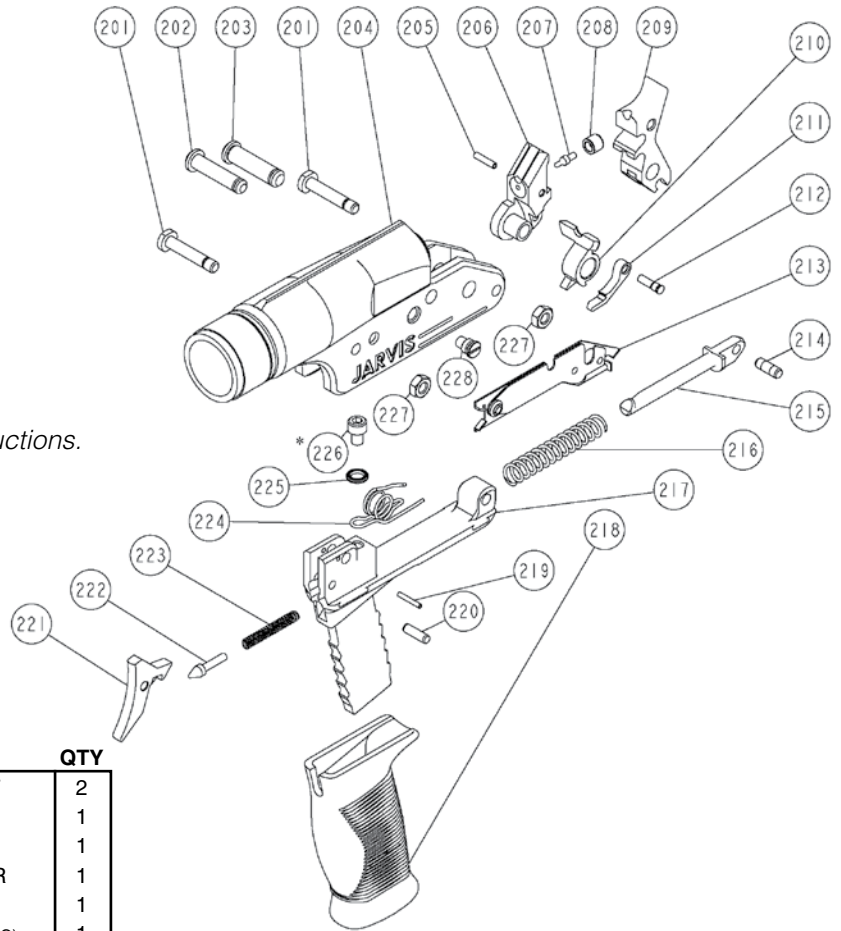
ITEM NO.	JARVIS NO.	#	DESCRIPTION	QTY
3028 78241	1116940	101	NOSEPIECE HOUSING	1
3028 77461	1104539	102	NOSEPIECE LOCK WASHER	1
3028 36071	1104536	103	RED BUMPER WASHER	1
3028 77051	1171577	104	STUNNING ROD BUMPER	8
3028 77491	1104537	105	BLUE BUMPER WASHER	1
3028 77441	1120507	106	STUNNING ROD	1

JARVIS

PAS-PS 22R

Replacement parts

 See page 32 for Safety & Maintenance Instructions.



ITEM NO.	JARVIS NO.	#	DESCRIPTION	QTY
3028 77801	1154257	201	HANDLE RETAINING BOLT	2
3028 78301	1110616	202	FIRING BLOCK PIVOT PIN	1
3028 78261	1110618	203	HAMMER PIVOT PIN	1
3028 37181	3116601	204	RECEIVER HOUSING .22 R	1
3028 78361	1110250	205	ROLL PIN	1
3028 36771	3161001	206	FIRING BLOCK (WITHOUT DOG)	1
3028 78161	1110617	207	FIRING PIN	1
3028 78371	1136001	208	FIRING BLOCK BUSHING	1
3028 36781	1118182	209	HAMMER	1
3028 77711	1171579	210	EXTRACTOR .22	1
3028 77941	1118181	211	DOG	1
3028 78171	1145030	212	DOG RIVET	1
3028 77661	3132042	213	CATCH PLATE	1
3028 78281	1110620	214	RELEASE PIN DOWEL	1
3028 77671	1110619	215	RELEASE PIN only	1
3028 77511	1114253	216	RELEASE PIN SPRING	1
3028 78781	1119301	217	HANDLE	1
3028 77841	1102775	218	HANDLE COVER	1

ITEM NO.	JARVIS NO.	#	DESCRIPTION	QTY
3028 78491	1110239	219	ROLL PIN	1
3028 78451	1110633	220	TRIGGER PIVOT PIN	1
3028 77921	1118183	221	TRIGGER	1
3028 78441	1110621	222	TRIGGER PIN	1
3028 78381	1114251	223	TRIGGER RETURN SPRING	1
3028 77381	1114252	224	EJECTOR SPRING	1
3028 78551	1104001	225	RIBBED LOCK WASHER (PAIR)	1
3028 78561	1173289	226	SOCKET HEAD CAP SCREW	1
3028 77951	1107493	227	HEX NUT	2
3028 78621	1154258	228	TRIP SCREW	1
3028 36501	3110009	214/215	RELEASE PIN ASSEMBLY	1
3028 36791	3161561	205-208, 211-12	FIRING BLOCK & DOG ASSEMBLY	1
3028 36161	3110001	205, 207, 208	FIRING PIN ASSEMBLY	1

WE HAVE REPLACEMENT PARTS FOR ALL CASH SPECIAL STUNNERS

ITEM NO.	JARVIS NO.	REPLACEMENT PARTS STANDARD FOR CASH SPECIAL
3028 77781	1114254	216-S STANDARD RELEASE PIN SPRING
3028 77701	3110010	214S/215S STANDARD RELEASE PIN ASSEMBLY
3028 78151	1110622	214-S STANDARD RELEASE PIN DOWEL
3028 78201	1118002	209-S STANDARD HAMMER

JARVIS®

Power Actuated Stunner (PAS) TYPE-P Standard Bolt



MADE IN THE USA

**.25 Caliber, STANDARD BOLT
PAS-PS 25S**

Item No. 3028 35911







Jarvis No. 4144152

- Diverse applications, from smaller to larger sized livestock.
- Renders animal insensible to pain before slaughter.
- Simple to use, operate and maintain.
- Ruggedly built for long service life.
- Different cartridge strengths available, depending on usage.
- Comfortable, ergonomically designed handle.
- Penetrating Shaft Diameter: 0.45 inch (11.4 mm).
- Bolt Extension: 4.75 inches (121 mm).
- Control Handle: Single Trigger, Manual Operation
- Overall Dimensions: 11.25 X 1.875 X 7.47 in (286 x 48 x 191 mm).
- Weight: 6.41-lbs (2.9 kg).

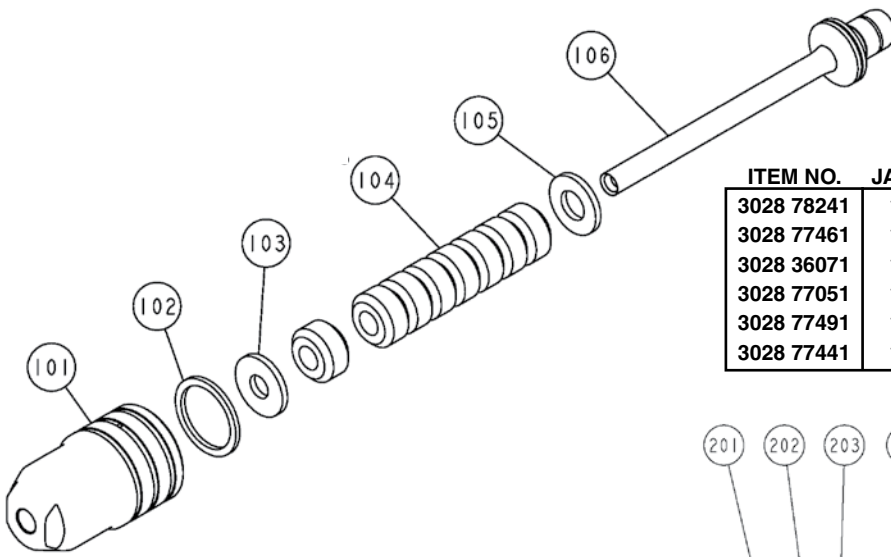


Carrying case & cleaning tool included.

Suggested Cartridges: Caliber .25

Part No.	Description .25	Rounds Per Pkg	Cartridge Photos	Applications
3028 77225	Pink Cartridge, 1.25 Grain	1000	 .25R	
3028 77285	Pink Cartridge, 1.25 Grain	50		
3028 35765	Yellow Cartridge, 2.0 Grain	1000	 .25S	
3028 35785	Yellow Cartridge, 2.0 Grain	50		
3028 77095	Blue Cartridge, 3.0 Grain	1000	 .25R	
3028 77265	Blue Cartridge, 3.0 Grain	50		

CAUTION: Do not exceed cartridge strength for prescribed usage.



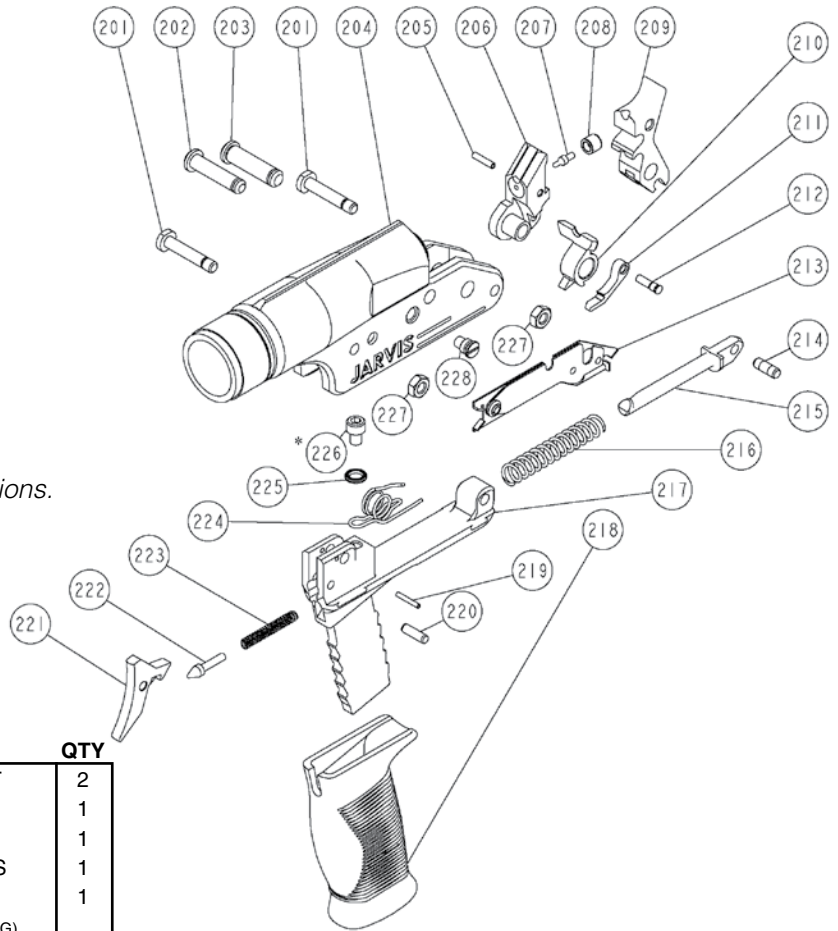
ITEM NO.	JARVIS NO.	#	DESCRIPTION	QTY
3028 78241	1116940	101	NOSEPIECE HOUSING	1
3028 77461	1104539	102	NOSEPIECE LOCK WASHER	1
3028 36071	1104536	103	RED BUMPER WASHER	1
3028 77051	1171577	104	STUNNING ROD BUMPER	8
3028 77491	1104537	105	BLUE BUMPER WASHER	1
3028 77441	1120507	106	STUNNING ROD	1

JARVIS

PAS-PS 25S

Replacement parts

See page 32 for Safety & Maintenance Instructions.



ITEM NO.	JARVIS NO.	#	DESCRIPTION	QTY
3028 77801	1154257	201	HANDLE RETAINING BOLT	2
3028 78301	1110616	202	FIRING BLOCK PIVOT PIN	1
3028 78261	1110618	203	HAMMER PIVOT PIN	1
3028 37171	3116603	204	RECEIVER HOUSING .25 S	1
3028 78361	1110250	205	ROLL PIN	1
3028 36771	3161001	206	FIRING BLOCK (WITHOUT DOG)	1
3028 78161	1110617	207	FIRING PIN	1
3028 78371	1136001	208	FIRING BLOCK BUSHING	1
3028 36781	1118182	209	HAMMER	1
3028 77601	1171582	210	EXTRACTOR .25	1
3028 77941	1118181	211	DOG	1
3028 78171	1145030	212	DOG RIVET	1
3028 77661	3132042	213	CATCH PLATE	1
3028 78281	1110620	214	RELEASE PIN DOWEL	1
3028 77671	1110619	215	RELEASE PIN only	1
3028 77511	1114253	216	RELEASE PIN SPRING	1
3028 78781	1119301	217	HANDLE	1
3028 77841	1102775	218	HANDLE COVER	1

ITEM NO.	JARVIS NO.	#	DESCRIPTION	QTY
3028 78491	1110239	219	ROLL PIN	1
3028 78451	1110633	220	TRIGGER PIVOT PIN	1
3028 77921	1118183	221	TRIGGER	1
3028 78441	1110621	222	TRIGGER PIN	1
3028 78381	1114251	223	TRIGGER RETURN SPRING	1
3028 77381	1114252	224	EJECTOR SPRING	1
3028 78551	1104001	225	RIBBED LOCK WASHER (PAIR)	1
3028 78561	1173289	226	SOCKET HEAD CAP SCREW	1
3028 77951	1107493	227	HEX NUT	2
3028 78621	1154258	228	TRIP SCREW	1
3028 36501	3110009	214/215	RELEASE PIN ASSEMBLY	1
3028 36791	3161561	205-208, 211-12	FIRING BLOCK & DOG ASSEMBLY	1
3028 36161	3110001	205, 207, 208	FIRING PIN ASSEMBLY	1

WE HAVE REPLACEMENT PARTS FOR ALL CASH SPECIAL STUNNERS

ITEM NO.	JARVIS NO.	REPLACEMENT PARTS STANDARD FOR CASH SPECIAL
3028 77781	1114254	216-S STANDARD RELEASE PIN SPRING
3028 77701	3110010	214S/215S STANDARD RELEASE PIN ASSEMBLY
3028 78151	1110622	214-S STANDARD RELEASE PIN DOWEL
3028 78201	1118002	209-S STANDARD HAMMER

JARVIS®

Power Actuated Stunner (PAS) TYPE-P Heavy Duty, Standard Bolt



**.25 Caliber, HEAVY-DUTY,
STANDARD BOLT**

PAS-PHDS 25R

Item No. **3028 77001**

Jarvis No. 4144155

- Diverse applications, from smaller to larger sized livestock.
- Renders animal insensible to pain before slaughter.
- Comfortable, ergonomically designed handle.
- Simple to use, operate and maintain.
- Ruggedly built for long service life.
- Different cartridge strengths available, depending on usage.
- Control Handle: Single Trigger, Manual Operation.
- Penetrating Shaft Diameter: 0.45 inch (11.4 mm).
- Bolt Extension: 4.75 inches (121 mm).
- Overall Dimensions: 11.25 X 1.875 X 7.47 in (286 x 48 x 191 mm).
- Weight: 6.48 lbs. (2.93 kg).

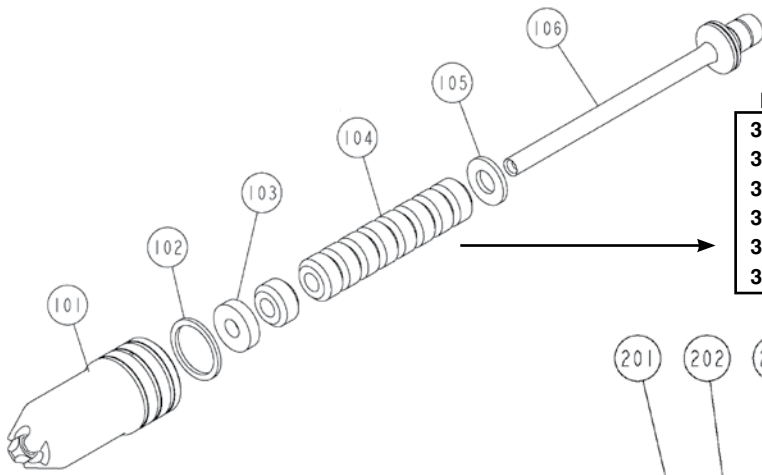


Carrying case & cleaning tools included.

Suggested Cartridges: Caliber .25R

Part No.	Description .25R	Rounds Per Pkg	Cartridge Photos	Applications
3028 77225	Pink Cartridge, 1.25 Grain	1000		
3028 77285	Pink Cartridge, 1.25 Grain	50		
3028 77275	Yellow Cartridge, 2.0 Grain	1000		
3028 77735	Yellow Cartridge, 2.0 Grain	50		
3028 77095	Blue Cartridge, 3.0 Grain	1000		
3028 77265	Blue Cartridge, 3.0 Grain	50		
3028 77085	Orange Cartridge, 3.5 Grain	1000		
3028 77245	Orange Cartridge, 3.5 Grain	50		

CAUTION: Do not exceed cartridge strength for prescribed usage.



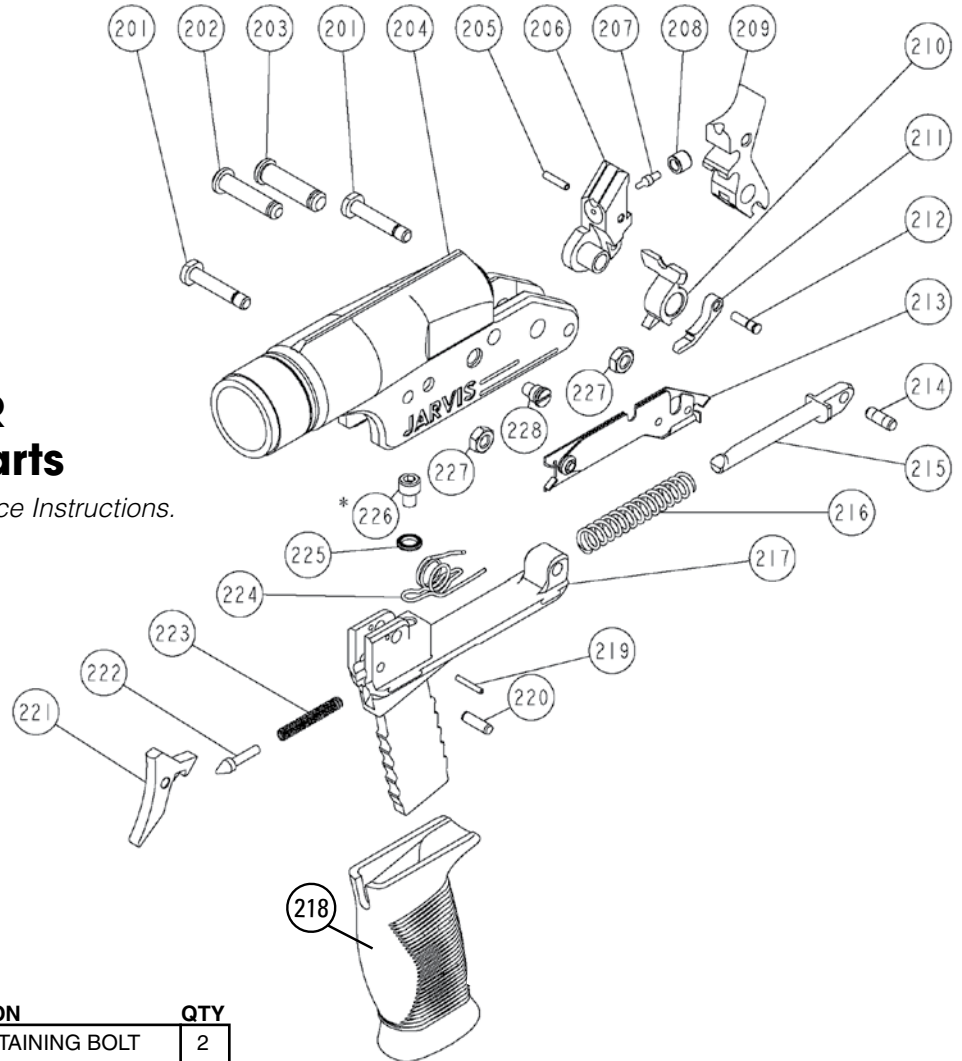
ITEM NO.	JARVIS NO.	#	DESCRIPTION	QTY
3028 77911	1116986	101	NOSEPIECE HOUSING, HD STD	1
3028 77461	1104539	102	NOSEPIECE LOCK WASHER	1
3028 77641	1104555	103	ORANGE BUMPER WASHER	1
3028 77051	1171577	104	STUNNING ROD BUMPER	8
3028 77491	1104537	105	BLUE BUMPER WASHER	1
3028 36001	1120531	106	STUNNING ROD, HD STANDARD	1

JARVIS

PAS-PHDS 25R

Replacement parts

See page 32 for Safety & Maintenance Instructions.



ITEM NO.	JARVIS NO.	#	DESCRIPTION	QTY
3028 77801	1154257	201	HANDLE RETAINING BOLT	2
3028 78301	1110616	202	FIRING BLOCK PIVOT PIN	1
3028 78261	1110618	203	HAMMER PIVOT PIN	1
3028 36761	3116602	204	RECEIVER HOUSING .25R	1
3028 78361	1110250	205	ROLL PIN	1
3028 36771	3161001	206	FIRING BLOCK (WITHOUT DOG)	1
3028 78161	1110617	207	FIRING PIN	1
3028 78371	1136001	208	FIRING BLOCK BUSHING	1
3028 36781	1118182	209	HAMMER HD, STD	1
3028 77601	1171582	210	EXTRACTOR	1
3028 77941	1118181	211	DOG	1
3028 78171	1145030	212	DOG RIVET	1
3028 77661	3132042	213	CATCH PLATE	1
3028 78281	1110620	214	RELEASE PIN DOWEL	1
3028 77671	1110619	215	RELEASE PIN	1
3028 77511	1114253	216	RELEASE PIN SPRING	1
3028 78781	1119301	217	HANDLE	1

ITEM NO.	JARVIS NO.	#	DESCRIPTION	QTY
3028 77841	1102775	218	HANDLE COVER	1
3028 78491	1110239	219	ROLL PIN	1
3028 78451	1110633	220	TRIGGER PIVOT PIN	1
3028 77921	1118183	221	TRIGGER	1
3028 78441	1110621	222	TRIGGER PIN	1
3028 78381	1114251	223	TRIGGER RETURN SPRING	1
3028 77381	1114252	224	EJECTOR SPRING	1
3028 78551	1104001	225	RIBBED LOCK WASHER (PAIR)	1
3028 36811	1173289	226	SOCKET HEAD CAP SCREW	1
3028 77951	1107493	227	HEX NUT	2
3028 78621	1154258	228	TRIP SCREW	1
3028 36501	3110009	214/215	RELEASE PIN ASSEMBLY	1
3028 36791	3161561	205-208, 211, 212	FIRING BLOCK & DOG ASSEMBLY	1
3028 36821	3180003		CONTAINER AND TOOLS PACKAGE	1

WE HAVE REPLACEMENT PARTS FOR ALL CASH SPECIAL STUNNERS

JARVIS®

Power Actuated Stunner (PAS) TYPE-P Heavy Duty, Long Bolt



.25 Caliber, HEAVY-DUTY, LONG BOLT
PAS-PHDL 25R
Item No. **3028 77011**
Jarvis No. 4144132

- Diverse applications, from smaller to larger sized livestock.
- Renders animal insensible to pain before slaughter.
- Simple to use, operate and maintain.
- Ruggedly built for long service life.
- Different cartridge strengths available, depending on usage.
- Comfortable, ergonomically designed handle.
- Pistol grip style with longer length bolt for deeper skull penetration.
- Penetrating Shaft Diameter: 0.45 inch (11.4 mm).
- Bolt Extension: 5.88 inches (149 mm).
- Control Handle: Single Trigger, Manual Operation.
- Overall Dimensions: 11.57 X 1.875 X 7.47 in (294 x 48 x 191 mm).
- Weight: 6.77 lbs. (3.07 kg).

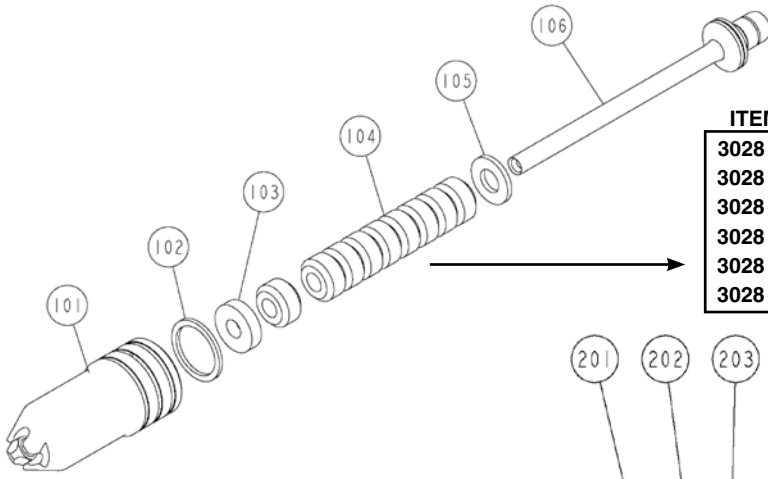


Carrying case & cleaning tools included.

Suggested Cartridges: Caliber .25R

Part No.	Description .25R	Rounds Per Pkg	Cartridge Photos	Applications
3028 77225	Pink Cartridge, 1.25 Grain	1000		
3028 77285	Pink Cartridge, 1.25 Grain	50		
3028 77275	Yellow Cartridge, 2.0 Grain	1000		
3028 77735	Yellow Cartridge, 2.0 Grain	50		
3028 77095	Blue Cartridge, 3.0 Grain	1000		
3028 77265	Blue Cartridge, 3.0 Grain	50		
3028 77085	Orange Cartridge, 3.5 Grain	1000		
3028 77245	Orange Cartridge, 3.5 Grain	50		

CAUTION: Do not exceed cartridge strength for prescribed usage.



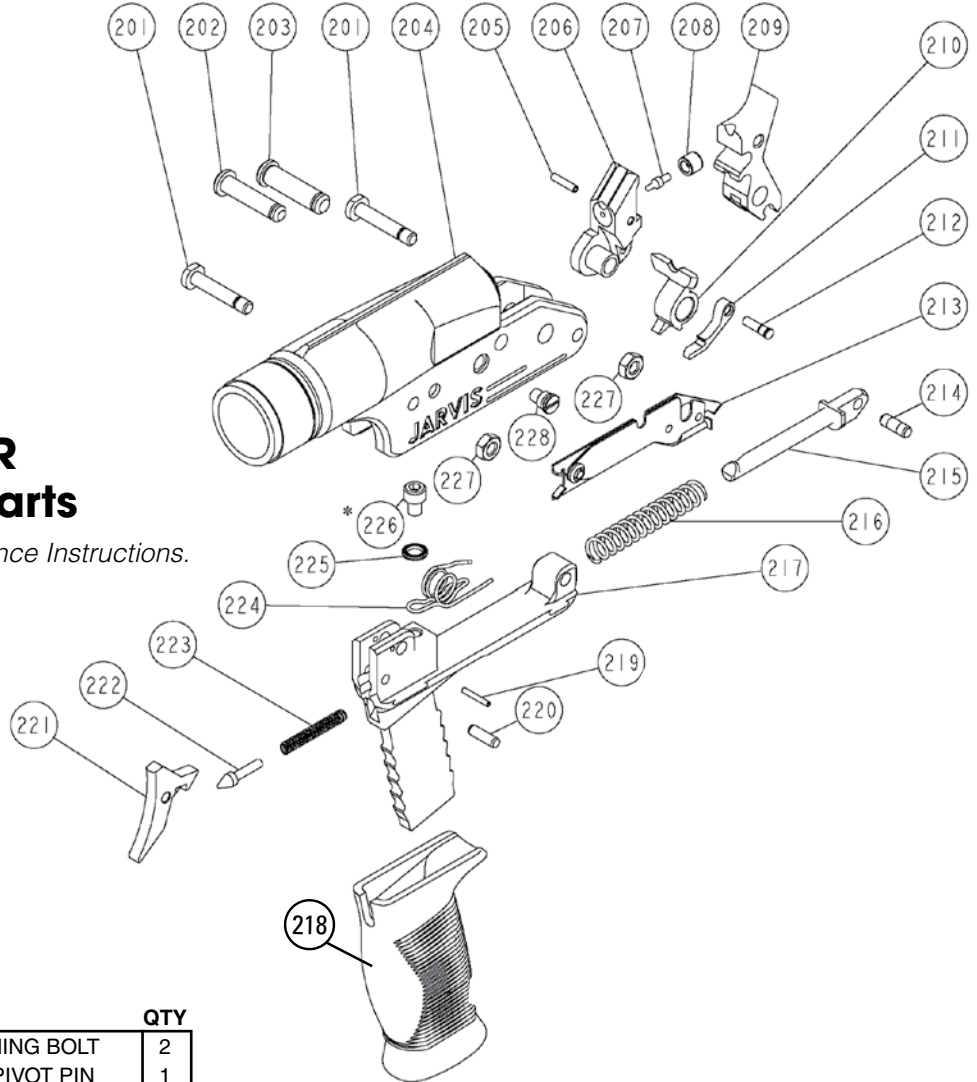
ITEM NO.	JARVIS NO.	#	DESCRIPTION	QTY
3028 77991	1116985	101	NOSEPIECE HOUSING - LONG	1
3028 77461	1104539	102	NOSEPIECE LOCK WASHER	1
3028 77641	1104555	103	ORANGE BUMPER WASHER	1
3028 77051	1171577	104	STUNNING ROD BUMPER	8
3028 77491	1104537	105	BLUE BUMPER WASHER	1
3028 77481	1120530	106	STUNNING ROD - LONG	1

JARVIS

PAS-PHDL 25R

Replacement parts

See page 32 for Safety & Maintenance Instructions.



ITEM NO.	JARVIS NO.	#	DESCRIPTION	QTY
3028 77801	1154257	201	HANDLE RETAINING BOLT	2
3028 78301	1110616	202	FIRING BLOCK PIVOT PIN	1
3028 78261	1110618	203	HAMMER PIVOT PIN	1
3028 36761	3116602	204	RECEIVER HOUSING .25R	1
3028 78361	1110250	205	ROLL PIN	1
3028 36771	3161001	206	FIRING BLOCK (WITHOUT DOG)	1
3028 78161	1110617	207	FIRING PIN	1
3028 78371	1136001	208	FIRING BLOCK BUSHING	1
3028 77851	1118001	209	HAMMER HD	1
3028 77601	1171582	210	EXTRACTOR	1
3028 77941	1118181	211	DOG	1
3028 78171	1145030	212	DOG RIVET	1
3028 77661	3132042	213	CATCH PLATE	1
3028 78281	1110620	214	RELEASE PIN DOWEL	1
3028 77671	1110619	215	RELEASE PIN	1
3028 77511	1114253	216	RELEASE PIN SPRING	1
3028 78781	1119301	217	HANDLE	1

ITEM NO.	JARVIS NO.	#	DESCRIPTION	QTY
3028 77841	1102775	218	HANDLE COVER	1
3028 78491	1110239	219	ROLL PIN	1
3028 78451	1110633	220	TRIGGER PIVOT PIN	1
3028 77921	1118183	221	TRIGGER	1
3028 78441	1110621	222	TRIGGER PIN	1
3028 78381	1114251	223	TRIGGER RETURN SPRING	1
3028 77381	1114252	224	EJECTOR SPRING	1
3028 78551	1104001	225	RIBBED LOCK WASHER (PAIR)	1
3028 36811	1173289	226	SOCKET HEAD CAP SCREW	1
3028 77951	1107493	227	HEX NUT	2
3028 78621	1154258	228	TRIP SCREW	1
3028 36501	3110009	214/215	RELEASE PIN ASSEMBLY	1
3028 36791	3161561	205-208, 211, 212	FIRING BLOCK & DOG ASSEMBLY	1
3028 36821	3180003		CONTAINER AND TOOLS PACKAGE	1

WE HAVE REPLACEMENT PARTS FOR ALL CASH SPECIAL STUNNERS

JARVIS®

Power Actuated Stunner (PAS) TYPE-P with Concussion Head



MADE IN THE USA

The Concussion Head Assembly uses a non-penetrating head to strike a powerful blow to the head of small animals for instantaneous euthanasia. It is designed for small animals only, such as hogs up to 50-lbs., turkeys of all sizes, chickens, rabbits, ducks and geese.

.25 Caliber, CONCUSSION HEAD PAS-PCN 25R

Item No. **3028 35951**

Jarvis No. 4144156

- Renders animal insensible to pain before slaughter.
- Simple to use, operate and maintain.
- Ruggedly built for long service life.
- Comfortable, ergonomically designed handle.
- Works on all Pistol (Type-P) stunners.
- Control Handle: Single Trigger, Manual Operation.
- Bolt Extension: 3.75 inches (121mm).
- Overall Dimensions: 11.00 X 1.8 X 7.9 in (279 x 46 x 200 mm).
- Weight: 6.74 lbs. (3.05 kg).



Carrying case & cleaning tools included.

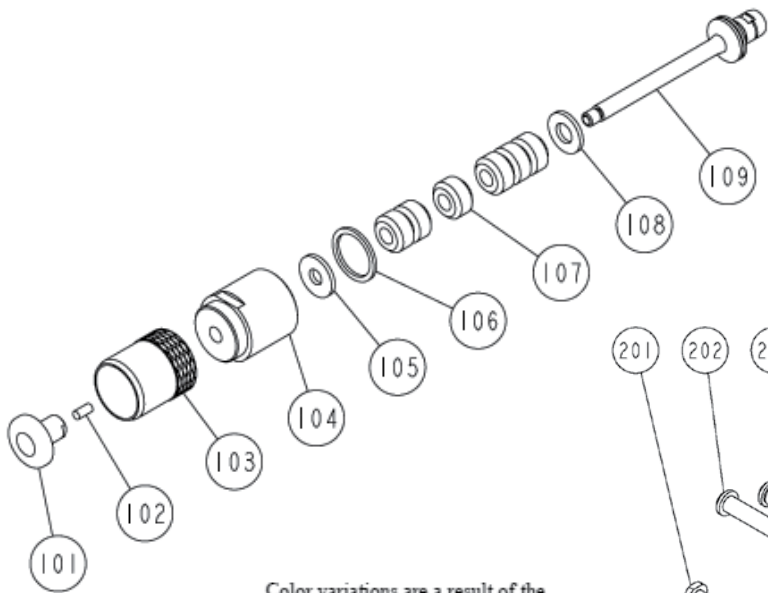
Suggested Cartridges: Caliber .25R

Part No.	Description .25R	Rounds Per Pkg	Cartridge Photos	Applications
3028 77225	Pink Cartridge, 1.25 Grain	1000		
3028 77285	Pink Cartridge, 1.25 Grain	50		
3028 77275	Yellow Cartridge, 2.0 Grain	1000		
3028 77735	Yellow Cartridge, 2.0 Grain	50		

CAUTION: Do not exceed cartridge strength for prescribed usage.

CONCUSSION HEAD REPLACEMENT PARTS

ITEM NO.	JARVIS NO	#	DESCRIPTION
3028 78291	1165094	101-C	PISTON
3028 77561	1114228	102-C	RUBBER SPRING
3028 78791	1109214	103-C	SLEEVE
3028 37151	1111498	104-C	COUPLING
3028 36071	1104536	105-C	RED BUMPER WASHER
3028 77461	1104539	106-C	NOSEPIECE LOCK WASHER
3028 77051	1171577	107-C	STUNNING ROD SLEEVE
3028 77491	1104537	108-C	BLUE BUMPER WASHER
3028 77741	1120533	109-C	STUNNING ROD



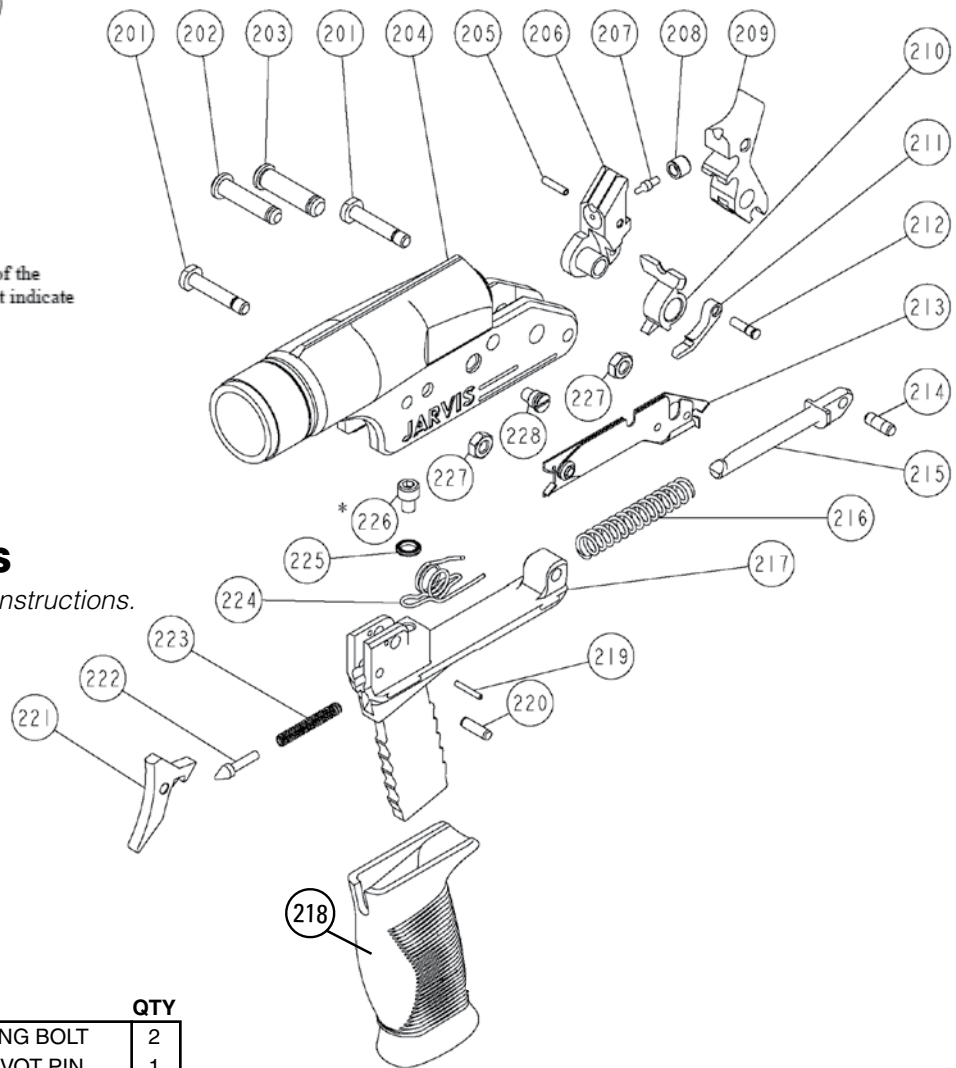
Color variations are a result of the hardening process and do not indicate degradation of the material

JARVIS

PAS-PCN 25R

Replacement parts

See page 32 for Safety & Maintenance Instructions.



ITEM NO.	JARVIS NO.	#	DESCRIPTION	QTY
3028 77801	1154257	201	HANDLE RETAINING BOLT	2
3028 78301	1110616	202	FIRING BLOCK PIVOT PIN	1
3028 78261	1110618	203	HAMMER PIVOT PIN	1
3028 36761	3116602	204	RECEIVER HOUSING .25R	1
3028 78361	1110250	205	ROLL PIN	1
3028 36771	3161001	206	FIRING BLOCK (WITHOUT DOG)	1
3028 78161	1110617	207	FIRING PIN	1
3028 78371	1136001	208	FIRING BLOCK BUSHING	1
3028 77851	1118001	209	HAMMER HD	1
3028 77601	1171582	210	EXTRACTOR	1
3028 77941	1118181	211	DOG	1
3028 78171	1145030	212	DOG RIVET	1
3028 77661	3132042	213	CATCH PLATE	1
3028 78281	1110620	214	RELEASE PIN DOWEL	1
3028 77671	1110619	215	RELEASE PIN	1
3028 77511	1114253	216	RELEASE PIN SPRING	1
3028 78781	1119301	217	HANDLE	1

ITEM NO.	JARVIS NO.	#	DESCRIPTION	QTY
3028 77841	1102775	218	HANDLE COVER	1
3028 78491	1110239	219	ROLL PIN	1
3028 78451	1110633	220	TRIGGER PIVOT PIN	1
3028 77921	1118183	221	TRIGGER	1
3028 78441	1110621	222	TRIGGER PIN	1
3028 78381	1114251	223	TRIGGER RETURN SPRING	1
3028 77381	1114252	224	EJECTOR SPRING	1
3028 78551	1104001	225	RIBBED LOCK WASHER (PAIR)	1
3028 36811	1173289	226	SOCKET HEAD CAP SCREW	1
3028 77951	1107493	227	HEX NUT	2
3028 78621	1154258	228	TRIP SCREW	1
3028 36501	3110009	214/215	RELEASE PIN ASSEMBLY	1
3028 36791	3161561	205-208, 211, 212	FIRING BLOCK & DOG ASSEMBLY	1
3028 36821	3180003		CONTAINER AND TOOLS PACKAGE	1

WE HAVE REPLACEMENT PARTS FOR ALL CASH SPECIAL STUNNERS

JARVIS®

Power Actuated Stunner (PAS) TYPE-P Veterinary Kit



PAS-PS 25 VET KIT

Item No. **3028 77721**

JARVIS NO. 4144035

.25 Caliber, STANDARD BOLT

- Comfortable, ergonomically designed handle.
- Diverse applications, from smaller to larger sized livestock.
- Renders animal insensible to pain before slaughter.
- Simple to use, operate and maintain • Ruggedly built for long service life.
- Includes Standard, Medium, Long and Concussion Heads for multiple stunning uses.
- Different cartridge strengths available, depending on usage.

Suggested Cartridges, Caliber .25R

Part No.	Description .25R	Rounds Per Pkg	Cartridge Photos	Applications
3028 77225	Pink Cartridge, 1.25 Grain	1000		
3028 77285	Pink Cartridge, 1.25 Grain	50		
3028 77275	Yellow Cartridge, 2.0 Grain	1000		
3028 77735	Yellow Cartridge, 2.0 Grain	50		
3028 77095	Blue Cartridge, 3.0 Grain	1000		
3028 77265	Blue Cartridge, 3.0 Grain	50		
3028 77085	Orange Cartridge, 3.5 Grain	1000		
3028 77245	Orange Cartridge, 3.5 Grain	50		

CAUTION: Do not exceed cartridge strength for prescribed usage.

JARVIS PAS-PS 25R VET KIT

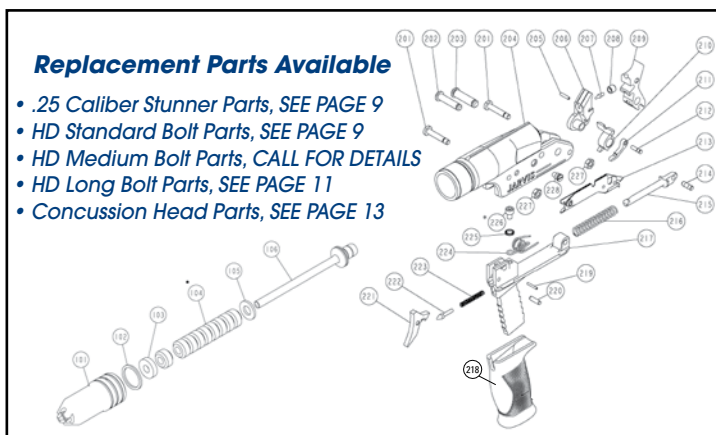


25-piece VET KIT INCLUDES:

1. Locking Carrying Case
 2. User Manual
- Cleaning & Maintenance Tools:**
3. Tool Roll
 4. Steel Wire Barrel Brush
 5. Spanner (Wrench)
 6. Manual Extractor/Pry Bar
 7. Push Rod
 8. Pick
 9. Undercut Scraper/Cleaner
 10. Breech Scraper/Cleaner Assembly
 11. Hex Key Wrench
 12. Wire Hand Brush
 13. 14 mm Cone Wrench
 14. 16 mm Cone Wrench

- Stunner & Accessories:**
17. .25 Caliber P-Type Stunner with Handle
 18. HD Standard Bolt
 19. HD Medium Bolt
 20. HD Long Bolt
 21. Concussion Head
 - 22-25. Power Load cartridges, 1x each, 50/tin
 - .25 Pink, 1.25 Grain
 - .25 Yellow, 2.0 Grain
 - .25 Blue, 3.0 Grain
 - .25 Orange, 3.5 Grain

SEE PAGE 41 for additional cleaning & maintenance tools



Replacement Parts Available

- .25 Caliber Stunner Parts, SEE PAGE 9
- HD Standard Bolt Parts, SEE PAGE 9
- HD Medium Bolt Parts, CALL FOR DETAILS
- HD Long Bolt Parts, SEE PAGE 11
- Concussion Head Parts, SEE PAGE 13

⚠ Thoroughly read and understand all safety instructions and ensure that the stunner is in proper working condition before attempting to use this stunner. ⚠

JARVIS®

Power Actuated Stunner (PAS) TYPE-C Concussion, Non-Penetrating



.22 Caliber, CONCUSSION BOLT
 POULTRY TOOL
PAS-CCN 22R
 Item No. **3028 77391**
 Jarvis No. 4144080



- Renders stunned animal insensible to pain, without penetrating the skull.
- Low cost stunning for chickens, turkeys, ducks, geese, neonate piglets and ween pigs <50-lbs.
- Easy to learn and operate.
- Perfect for smaller poultry processing operations and farm use, for euthanizing small animals.
- Standard safety lock for added operator protection.
- Easy and quick tool cleaning.
- Positive retraction of bolt after firing and stunning.
- Model: PAS Type-C (C=Cylinder style).
- Non-Penetrating Shaft diameter: 1.0 in (25.4 mm).
- Bolt Extension: 2.0 inches (25.4 mm).
- Overall Dimensions: 12.1 x 2.5 in (307 x 64 mm).
- Weight: 3.25 lbs. (1.48 kg).



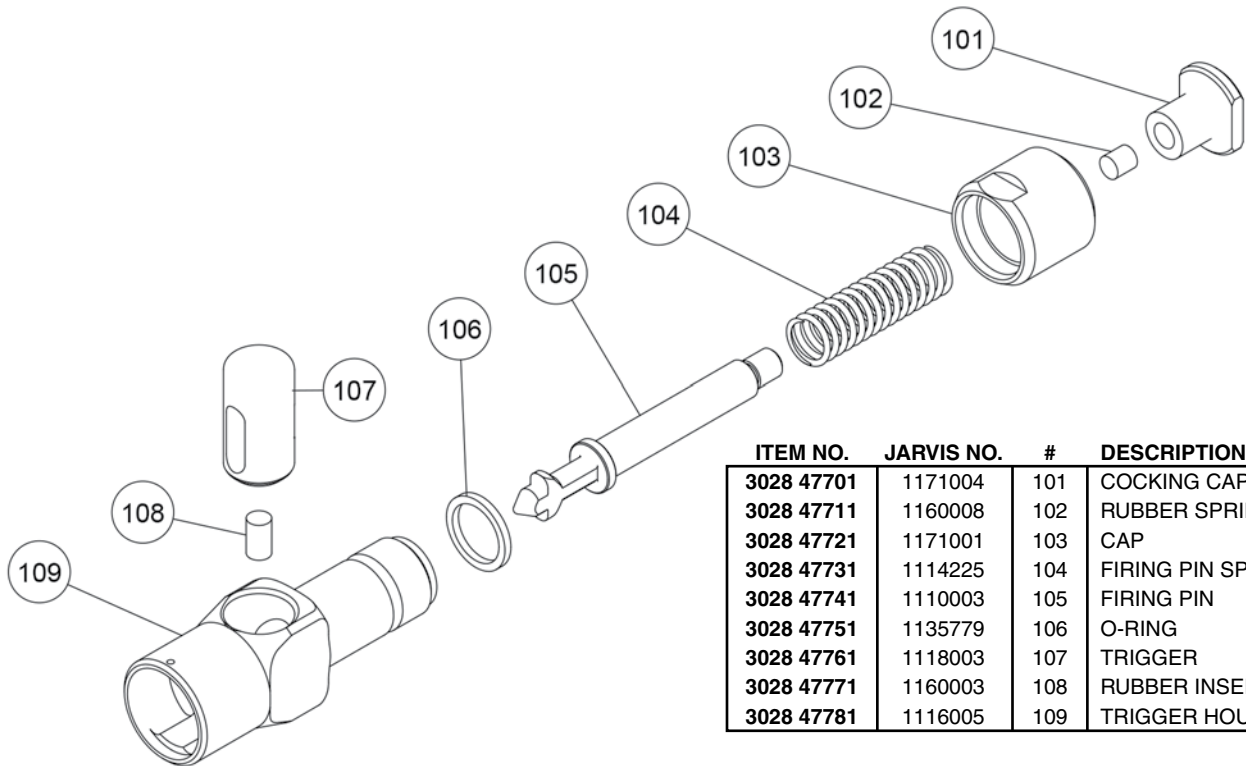
HOLSTER
 Item No. **3028 37891**
 Jarvis No. 1171007

- Leather holster with belt loop.

Suggested Cartridges: Caliber .22R

Part No.	Description .22R	Rounds per Pkg	Cartridge photo	Applications
3028 35595	Pink Cartridge, 1.25 Grain	1000		
3028 35635	Pink Cartridge, 1.25 Grain	50		

CAUTION: Do not exceed cartridge strength for prescribed usage.



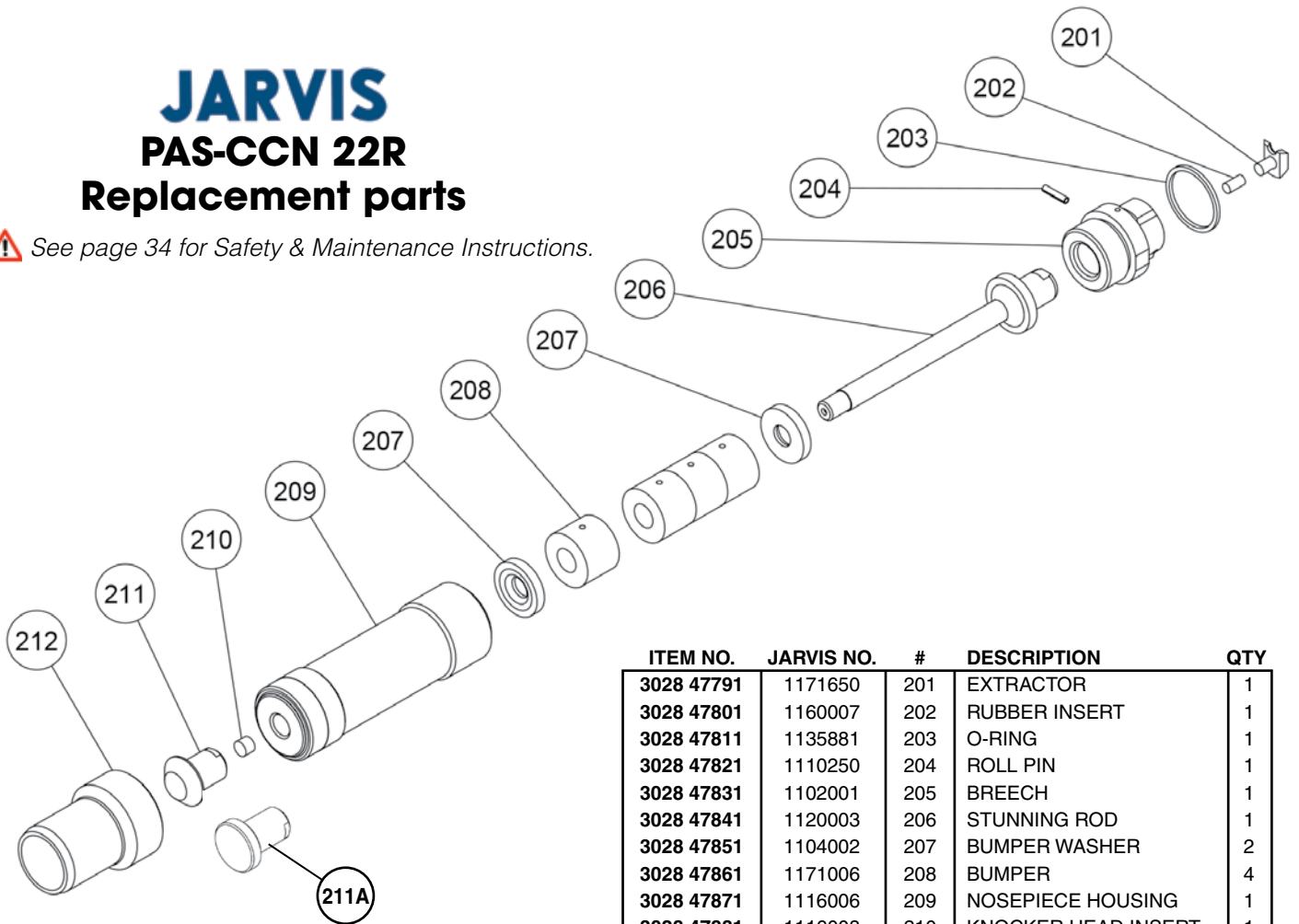
ITEM NO.	JARVIS NO.	#	DESCRIPTION	QTY
3028 47701	1171004	101	COCKING CAP	1
3028 47711	1160008	102	RUBBER SPRING	2
3028 47721	1171001	103	CAP	1
3028 47731	1114225	104	FIRING PIN SPRING	1
3028 47741	1110003	105	FIRING PIN	1
3028 47751	1135779	106	O-RING	1
3028 47761	1118003	107	TRIGGER	1
3028 47771	1160003	108	RUBBER INSERT	1
3028 47781	1116005	109	TRIGGER HOUSING	1

JARVIS

PAS-CCN 22R

Replacement parts

 See page 34 for Safety & Maintenance Instructions.



ITEM NO.	JARVIS NO.	#	DESCRIPTION	QTY
3028 47791	1171650	201	EXTRACTOR	1
3028 47801	1160007	202	RUBBER INSERT	1
3028 47811	1135881	203	O-RING	1
3028 47821	1110250	204	ROLL PIN	1
3028 47831	1102001	205	BREECH	1
3028 47841	1120003	206	STUNNING ROD	1
3028 47851	1104002	207	BUMPER WASHER	2
3028 47861	1171006	208	BUMPER	4
3028 47871	1116006	209	NOSEPIECE HOUSING	1
3028 47881	1116008	210	KNOCKER HEAD INSERT	1
3028 47891	1120004	211	BALL END KNOCKER HEAD	1
3028 47901	1120005	211A	FLAT KNOCKER HEAD	1
3028 47911	1102002	212	MUZZLE	1

JARVIS®

Power Actuated Stunner (PAS) TYPE-C Standard Bolt









.25 Caliber, STANDARD BOLT
PAS-CS 25S
 Item No. **3028 77021**
 Jarvis No. 4144061



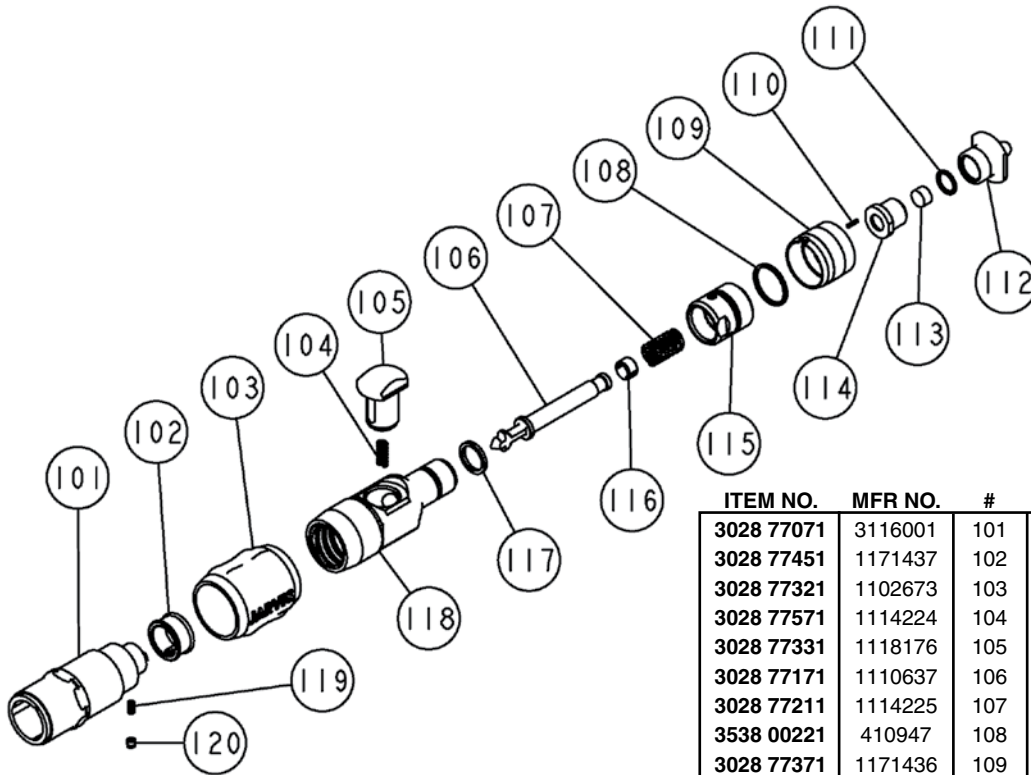
MADE IN THE USA

- Model: PAS Type-C (C=Cylinder style).
- Penetrating Shaft Diameter: 0.45 inch (11.4 mm).
- Bolt Extension: 4.75 inches (121 mm).
- Control Handle: Single Trigger, Manual Operation.
- Overall Dimensions: 14.1 X 2.25 in (358 x 57 mm).
- Weight: 6.50 lbs. (2.9 kg).

Suggested Cartridges: Caliber .25S

Part No.	Description .25S	Rounds per Pkg	Cartridge photos	Applications
3028 35765	 Yellow Cartridge 2 Grain	1000		
3028 35555	 Black Cartridge 4 Grain	1000		
3028 35845	Black Cartridge HMF (Lead Free) 5 Grain	1000		

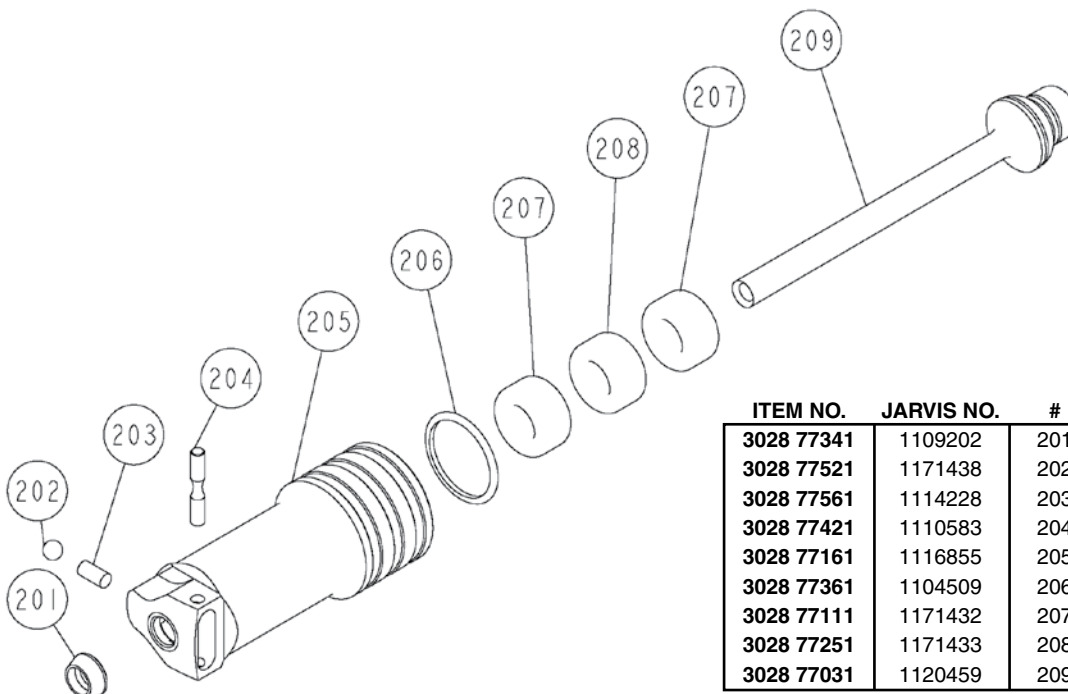
CAUTION: Do not exceed cartridge strength for prescribed usage.



ITEM NO.	MFR NO.	#	DESCRIPTION	QTY
3028 77071	3116001	101	BREECH HOUSING	1
3028 77451	1171437	102	EXTRACTOR .25 CALIBER	1
3028 77321	1102673	103	BREECH COVER	1
3028 77571	1114224	104	TRIGGER SPRING	1
3028 77331	1118176	105	TRIGGER	1
3028 77171	1110637	106	FIRING PIN	1
3028 77211	1114225	107	FIRING PIN SPRING	1
3538 00221	410947	108	SAFETY O-RING	1
3028 77371	1171436	109	OUTER SAFETY CAP	1
3028 77891	1110006	110	SAFETY ROLL PIN	1
3538 00211	410924	111	PULL LOCK O-RING WASHER	1
3028 77471	1171434	112	FIRING PIN PULL	1
3028 77531	1114227	113	PULL BUFFER	1
3028 77621	1136408	114	PULL BUSHING	1
3028 77351	1171435	115	INNER SAFETY CAP	1
3028 77551	1136409	116	PULL SPLIT BUSH (PAIR)	1
3538 00201	410918	117	SMALL O-RING	1
3028 77101	1116857	118	BREECH CAP	1
3028 78141	1114226	119	PLUNGER SPRING	1
3028 77691	1139086	120	EXTRACTOR PLUNGER	1

JARVIS PAS-CS 25S Replacement parts

 See page 33 for Safety & Maintenance Instructions.



ITEM NO.	JARVIS NO.	#	DESCRIPTION	QTY
3028 77341	1109202	201	COLLAR	1
3028 77521	1171438	202	COLLAR BALL	1
3028 77561	1114228	203	COLLAR SPRING	1
3028 77421	1110583	204	COLLAR RETAINING PIN	1
3028 77161	1116855	205	BARREL/NOSEPIECE STD	1
3028 77361	1104509	206	BARREL LOCK WASHER	1
3028 77111	1171432	207	BLACK BUFFER, HARD	2
3028 77251	1171433	208	RED BUFFER, SOFT	1
3028 77031	1120459	209	STUNNING ROD BOLT, STD	1

WE HAVE REPLACEMENT PARTS FOR ALL CASH MAGNUM STUNNERS

JARVIS®

Power Actuated Stunner (PAS) TYPE-C Long Bolt









.25 Caliber, LONG BOLT
PAS-CL 25S
Item No. **3028 77181**
Jarvis No. 4144062



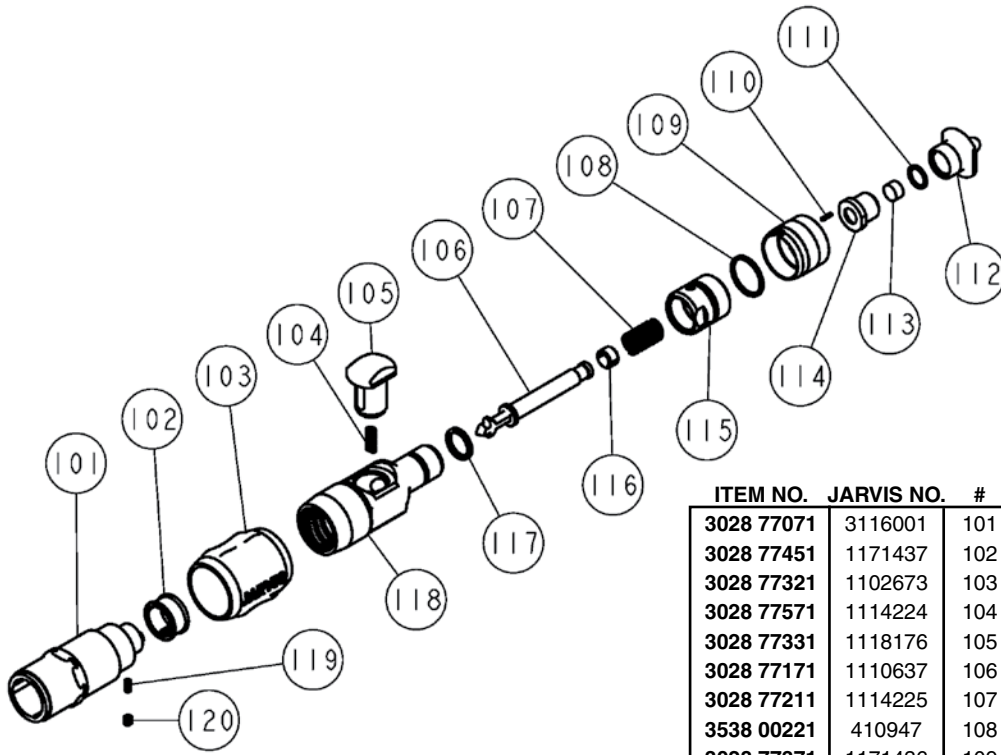
MADE IN THE USA

- Model: PAS Type-C (C=Cylinder style).
- Penetrating Shaft Diameter: 0.45 inch (11.4 mm).
- Bolt Extension: 5.80 inches (147 mm).
- Control Handle: Single Trigger, Manual Operation.
- Overall Dimensions: 15.09 X 2.25 in (383 x 57 mm).
- Weight: 6.85 lbs. (3.1 kg).

Suggested Cartridges: Caliber .25S

Part No.	Description .25S	Rounds per Pkg	Cartridge photos	Applications
3028 35765	 Yellow Cartridge 2 Grain	1000		
3028 35555	 Black Cartridge 4 Grain	1000		
3028 35845	Black Cartridge HMF (Lead Free) 5 Grain	1000		

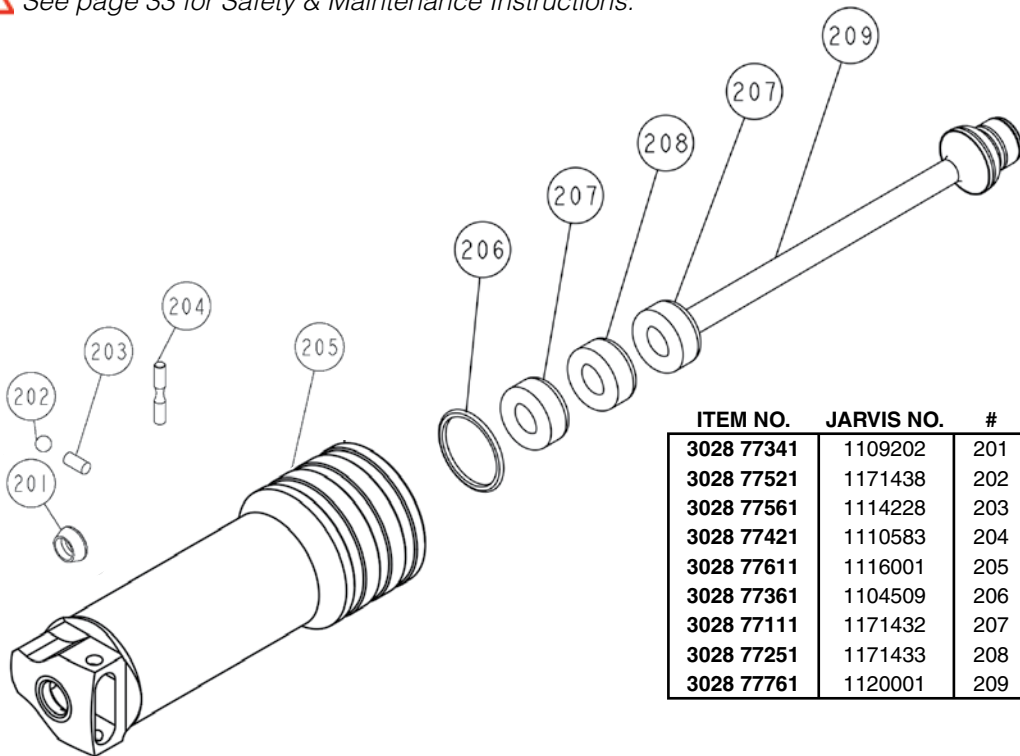
CAUTION: Do not exceed cartridge strength for prescribed usage.



JARVIS PAS-CL 25S Replacement parts

See page 33 for Safety & Maintenance Instructions.

ITEM NO.	JARVIS NO.	#	DESCRIPTION	QTY
3028 77071	3116001	101	BREECH HOUSING	1
3028 77451	1171437	102	EXTRACTOR .25 CALIBER	1
3028 77321	1102673	103	BREECH COVER	1
3028 77571	1114224	104	TRIGGER SPRING	1
3028 77331	1118176	105	TRIGGER	1
3028 77171	1110637	106	FIRING PIN	1
3028 77211	1114225	107	FIRING PIN SPRING	1
3538 00221	410947	108	SAFETY O-RING	1
3028 77371	1171436	109	OUTER SAFETY CAP	1
3028 77891	1110006	110	SAFETY ROLL PIN	1
3538 00211	410924	111	PULL LOCK O-RING WASHER	1
3028 77471	1171434	112	FIRING PIN PULL	1
3028 77531	1114227	113	PULL BUFFER	1
3028 77621	1136408	114	PULL BUSHING	1
3028 77351	1171435	115	INNER SAFETY CAP	1
3028 77551	1136409	116	PULL SPLIT BUSH (PAIR)	1
3538 00201	410918	117	SMALL O-RING	1
3028 77101	1116857	118	BREECH CAP	1
3028 78141	1114226	119	PLUNGER SPRING	1
3028 77691	1139086	120	EXTRACTOR PLUNGER	1



ITEM NO.	JARVIS NO.	#	DESCRIPTION	QTY
3028 77341	1109202	201	COLLAR	1
3028 77521	1171438	202	COLLAR BALL	1
3028 77561	1114228	203	COLLAR SPRING	1
3028 77421	1110583	204	COLLAR RETAINING PIN	1
3028 77611	1116001	205	BARREL/NOSEPIECE LONG	1
3028 77361	1104509	206	BARREL LOCK WASHER	1
3028 77111	1171432	207	BLACK BUFFER, HARD	2
3028 77251	1171433	208	RED BUFFER, SOFT	1
3028 77761	1120001	209	STUNNING ROD LONG BOLT	1

WE HAVE REPLACEMENT PARTS FOR ALL CASH MAGNUM STUNNERS

JARVIS®

Power Actuated Stunner (PAS) TYPE-C Super Heavy Duty









.25 Caliber, SUPER HEAVY DUTY
PAS-CSHD 25S
 Item No. **3028 77291**
 Jarvis No. 4144059

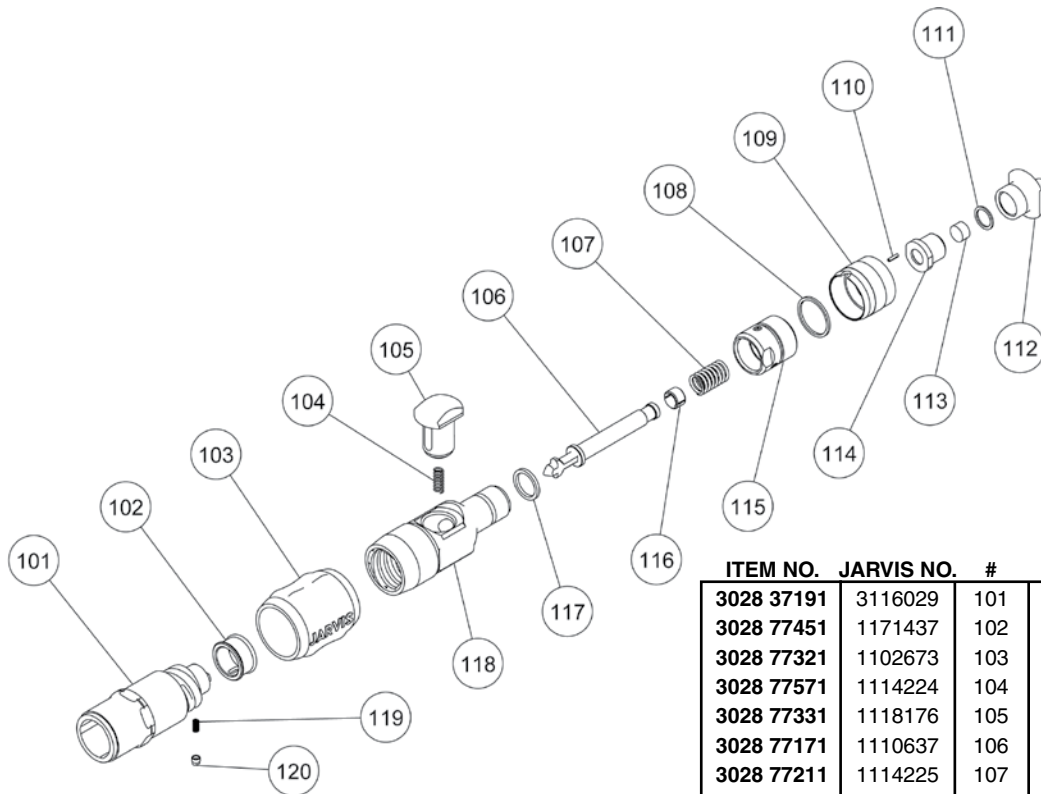


- Model: PAS Type-C (C=Cylinder style).
- Penetrating Shaft Diameter: 0.45 inch (11.4 mm).
- Bolt Extension TYPE-CS: 4.75 inches (121 mm).
- Control Handle: Single Trigger, Manual Operation.
- Overall Dimensions TYPE-CS: 15.97 X 2.04 in (406 x 52 mm).
- Weight: 7.80 lbs. (3.5 kg).

Suggested Cartridges: Caliber .25

Part No.	Description .25 caliber	Rounds per Pkg	Cartridge photos	Applications
3028 77315	 Red Cartridge 6 Grain	1000	.25R 	
3028 35555	 Black Cartridge 4 Grain	1000	.25S 	
3028 35845	Black Cartridge HMF (Lead Free) 5 Grain	1000		

CAUTION: Do not exceed cartridge strength for prescribed usage.



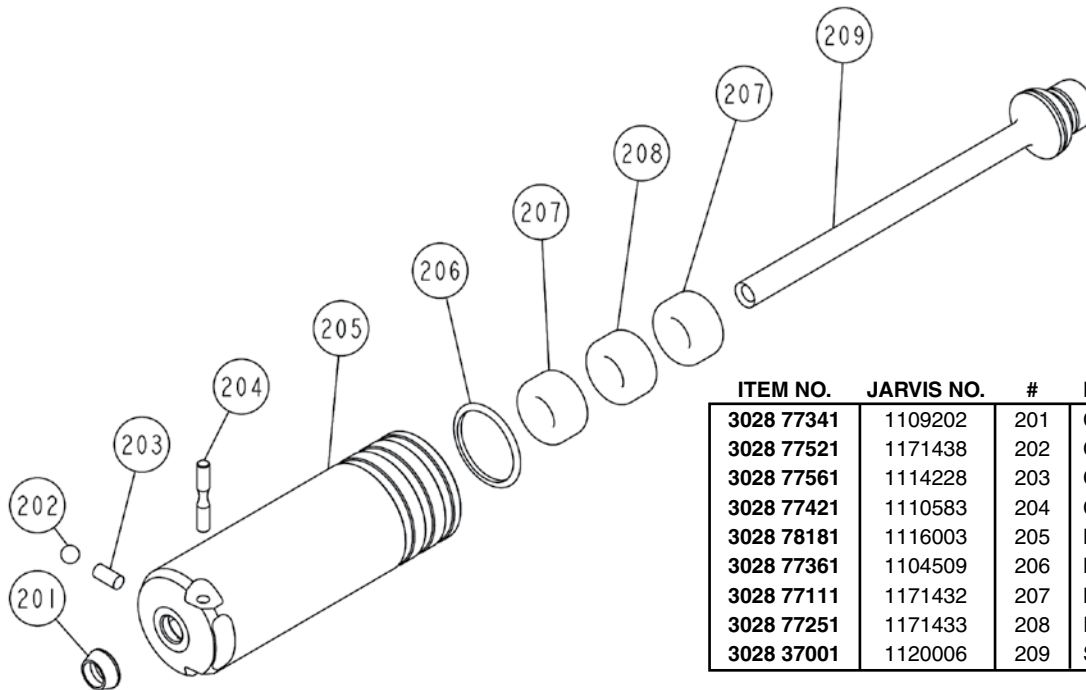
JARVIS

PAS-CSHD 25S

Replacement parts

 See page 33 for Safety & Maintenance Instructions.

ITEM NO.	JARVIS NO.	#	DESCRIPTION	QTY
3028 37191	3116029	101	BREECH HOUSING, HD	1
3028 77451	1171437	102	EXTRACTOR .25 CALIBER	1
3028 77321	1102673	103	BREECH COVER	1
3028 77571	1114224	104	TRIGGER SPRING	1
3028 77331	1118176	105	TRIGGER	1
3028 77171	1110637	106	FIRING PIN	1
3028 77211	1114225	107	FIRING PIN SPRING	1
3538 00221	410947	108	SAFETY O-RING	1
3028 77371	1171436	109	OUTER SAFETY CAP	1
3028 77891	1110006	110	SAFETY ROLL PIN	1
3538 00211	410924	111	PULL LOCK O-RING WASHER	1
3028 77471	1171434	112	FIRING PIN PULL	1
3028 77531	1114227	113	PULL BUFFER	1
3028 77621	1136408	114	PULL BUSHING	1
3028 77351	1171435	115	INNER SAFETY CAP	1
3028 77551	1136409	116	PULL SPLIT BUSH (PAIR)	1
3538 00201	410918	117	SMALL O-RING	1
3028 36931	1116012	118	BREECH CAP	1
3028 78141	1114226	119	PLUNGER SPRING	1
3028 77691	1139086	120	EXTRACTOR PLUNGER	1



ITEM NO.	JARVIS NO.	#	DESCRIPTION	QTY
3028 77341	1109202	201	COLLAR	1
3028 77521	1171438	202	COLLAR BALL	1
3028 77561	1114228	203	COLLAR SPRING	1
3028 77421	1110583	204	COLLAR RETAINING PIN	1
3028 78181	1116003	205	BARREL/NOSEPIECE HD	1
3028 77361	1104509	206	BARREL LOCK WASHER	1
3028 77111	1171432	207	BLACK BUFFER, HARD	2
3028 77251	1171433	208	RED BUFFER, SOFT	1
3028 37001	1120006	209	STUNNING ROD BOLT, HD	1

WE HAVE REPLACEMENT PARTS FOR ALL CASH MAGNUM STUNNERS

JARVIS®

Power Actuated Stunner (PAS) TYPE-C (RB) RETRACTING BOLT



.25 Caliber, RETRACTING BOLT
PAS-C RB 25R
 Item No. **3028 37841**
 Jarvis No. 4144055

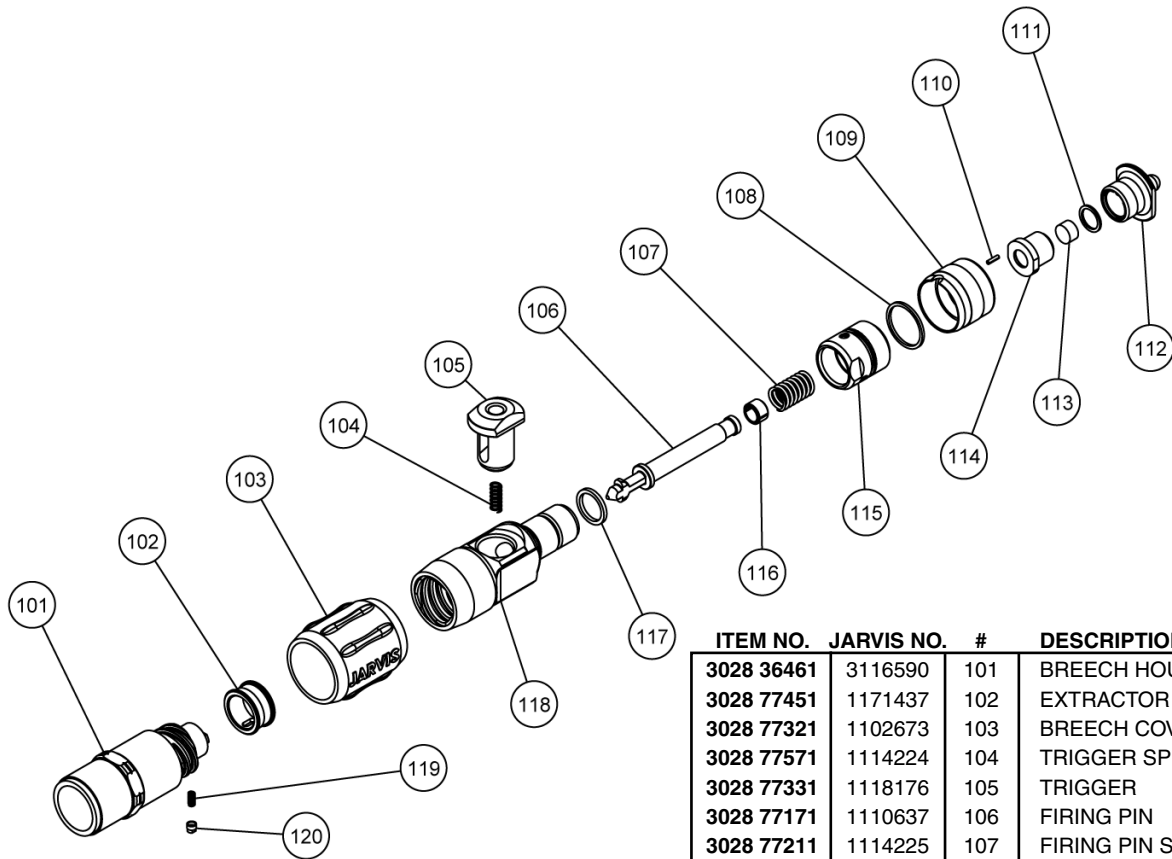


- Model: PAS Type-C (C=Cylinder style).
- Penetrating Shaft Diameter: 0.45 inch (11.4 mm).
- Bolt Extension TYPE-C: 4.75 inches (121 mm).
- Control Handle: Single Trigger, Manual Operation.
- Automatic bolt retraction.
- Overall Dimensions: 14.40 inches x 2.13 inches (366 x 54 mm)
- Weight: 6.50-lbs.

Suggested Cartridges: Caliber .25R

Part No.	Description	.25R	Rounds per Pkg	Cartridge photos	Applications
3028 77275	Yellow Cartridge, 2.0 Grain		1000		
3028 77735	Yellow Cartridge, 2.0 Grain		50		
3028 77095	Blue Cartridge, 3.0 Grain		1000		
3028 77265	Blue Cartridge, 3.0 Grain		50		
3028 77085	Orange Cartridge, 3.5 Grain		1000		
3028 77245	Orange Cartridge, 3.5 Grain		50		
3028 77935	Black Cartridge, 4.0 Grain		1000		

CAUTION: Do not exceed cartridge strength for prescribed usage.



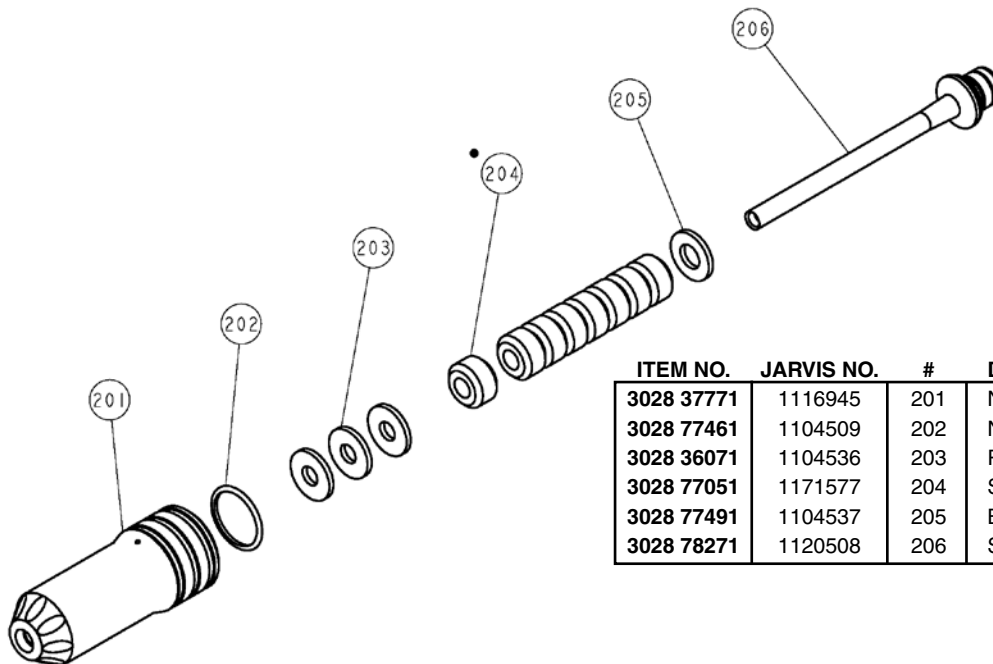
JARVIS

PAS-C RB 25R

Replacement parts

See page 33 for Safety & Maintenance Instructions.

ITEM NO.	JARVIS NO.	#	DESCRIPTION	QTY
3028 36461	3116590	101	BREECH HOUSING	1
3028 77451	1171437	102	EXTRACTOR .25 CALIBER	1
3028 77321	1102673	103	BREECH COVER	1
3028 77571	1114224	104	TRIGGER SPRING	1
3028 77331	1118176	105	TRIGGER	1
3028 77171	1110637	106	FIRING PIN	1
3028 77211	1114225	107	FIRING PIN SPRING	1
3538 00221	410947	108	SAFETY O-RING	1
3028 77371	1171436	109	OUTER SAFETY CAP	1
3028 77891	1110006	110	SAFETY ROLL PIN	1
3538 00211	410924	111	PULL LOCK O-RING WASHER	1
3028 77471	1171434	112	FIRING PIN PULL	1
3028 77531	1114227	113	PULL BUFFER	1
3028 77621	1136408	114	PULL BUSHING	1
3028 77351	1171435	115	INNER SAFETY CAP	1
3028 77551	1136409	116	PULL SPLIT BUSH (PAIR)	1
3538 00201	410918	117	SMALL O-RING	1
3028 77101	1116857	118	BREECH CAP	1
3028 78141	1114226	119	PLUNGER SPRING	1
3028 77691	1139086	120	EXTRACTOR PLUNGER	1



ITEM NO.	JARVIS NO.	#	DESCRIPTION	QTY
3028 37771	1116945	201	NOSEPIECE HOUSING	1
3028 77461	1104509	202	NOSEPIECE LOCK WASHER	1
3028 36071	1104536	203	RED BUMPER WASHER	3
3028 77051	1171577	204	STUNNING ROD BUMPER	8
3028 77491	1104537	205	BLUE BUMPER WASHER	1
3028 78271	1120508	206	STUNNING ROD	1

JARVIS®

Power Actuated Stunners (PAS) TYPE-C IMPACT FIRE



.25 Caliber, HAND HELD, HEAVY DUTY
PAS-C IF 25S
Item No. **3028 36471**
Jarvis No. 4144072



.25 Caliber, LONG HANDLE,
HEAVY DUTY
PAS-CLH IF 25S
Item No. **3028 36021**
Jarvis No. 4144071

- 31" long handle, perfect for accessing large animals in stunning pens, lead-ups and trailers.
- Penetrating bolt, contact fires upon impacting animal's skull.
- Standard safety lock for added operator protection.
- Positive retraction of bolt after firing.
- Penetrating Shaft Diameter: .450 in (11.43mm) rod.

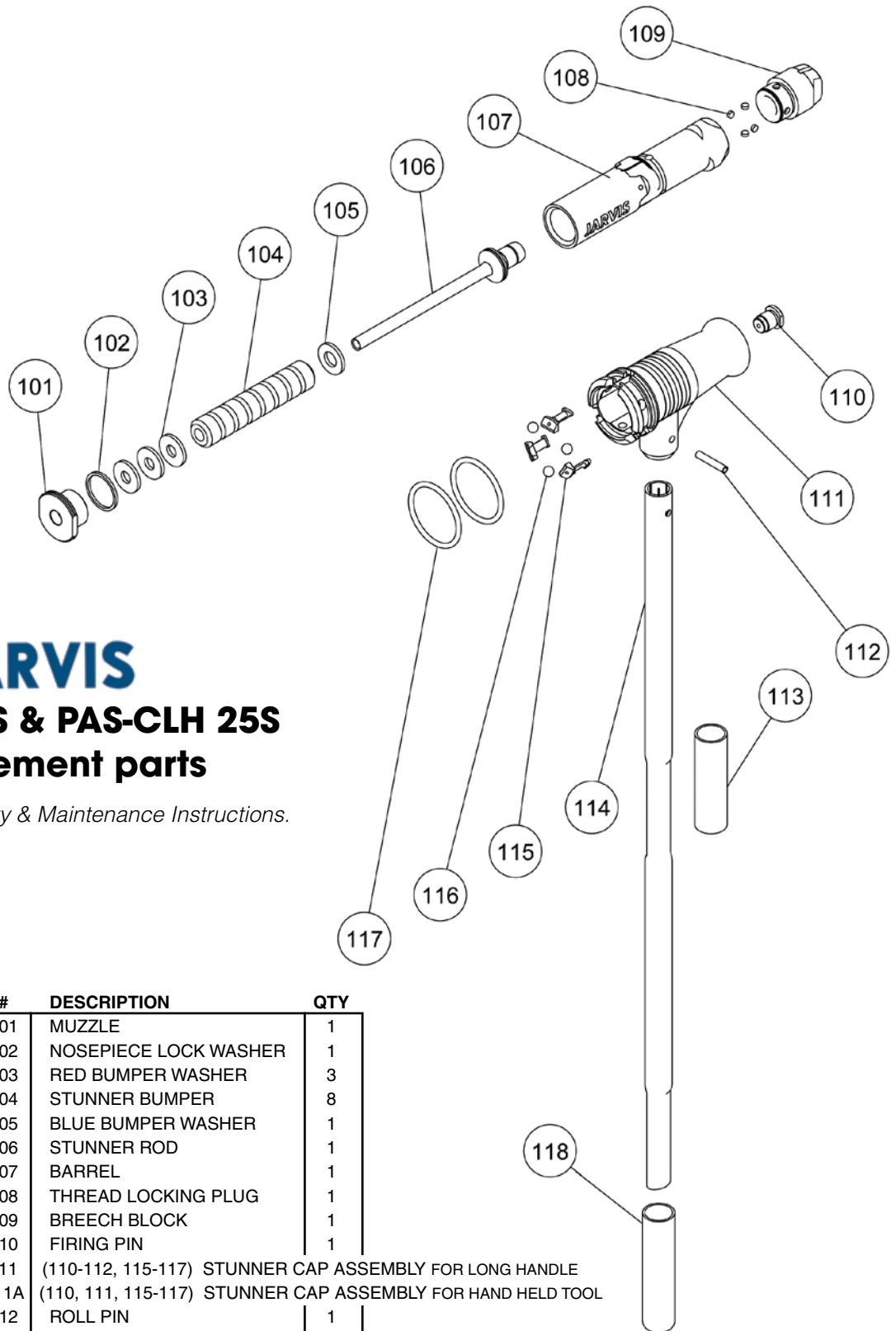


MADE IN THE USA

Suggested Cartridges: Caliber .25S

Part No.	Description .25S	Rounds per Pkg	Cartridge photo	Applications
3028 35555	Black Cartridge 4 Grain	1000		

CAUTION: Do not exceed cartridge strength for prescribed usage.



JARVIS

PAS-C IF 25S & PAS-CLH 25S

Replacement parts

See page 35 for Safety & Maintenance Instructions.

ITEM NO.	JARVIS NO.	#	DESCRIPTION	QTY
3028 78351	1102777	101	MUZZLE	1
3028 78481	1104560	102	NOSEPIECE LOCK WASHER	1
3028 36071	1104536	103	RED BUMPER WASHER	3
3028 77051	1171577	104	STUNNER BUMPER	8
3028 77491	1104537	105	BLUE BUMPER WASHER	1
3028 77821	1120535	106	STUNNER ROD	1
3028 37201	1116997	107	BARREL	1
3028 78821	1171646	108	THREAD LOCKING PLUG	1
3028 37211	1102003	109	BREECH BLOCK	1
3028 36401	1110639	110	FIRING PIN	1
3028 37281	3116032	111	(110-112, 115-117) STUNNER CAP ASSEMBLY FOR LONG HANDLE	
3028 37281	3116014	111A	(110, 111, 115-117) STUNNER CAP ASSEMBLY FOR HAND HELD TOOL	
3028 37221	1110004	112	ROLL PIN	1
3028 37231	1109216	113	HANDLE GRIP	1
3028 37301	1119312	114	HANDLE	1
3028 78401	1153022	115	STUNNER CLAW	3
3028 78501	1121578	116	BRASS BALL	3
3028 37251	1135868	117	O-RING	2
3028 37261	1109215	118	HANDLE GRIP	1
3028 37271	3119001	113,114,118	HANDLE ASSEMBLY	
3028 36411	3116026	107-109	BARREL/BREECH BLOCK ASSEMBLY	

WE HAVE REPLACEMENT PARTS FOR ALL CASH 8000 STUNNERS

Power Actuated Stunner (PAS) Stun Tester



Easy to read color digital display screen



STUN TESTER
Item No. **3028 35941**
JARVIS NO. 4116001

- Model: AST 106
- Complies with the most stringent requirements for audit data collection.
- Easy to use — intuitive operation.
- Exportable data log for test audits.

EXAMPLE: Exportable data log for stun test tracking

Stun Test Data Records					
Date/Time	Stunner #	Serial #	Power Load Code	Operator ID	SPEED
5/4/2016 8:19	16	110016	7	1234	191
5/4/2016 8:24	16	110016	7	1234	179
5/4/2016 8:38	16	110016	9	1234	196
5/4/2016 9:04	17	110017	7	1235	184



Stun Tester compatible with **Type-C and Type-P Power Actuated Stunners** & other captive bolt tools with no additional adaptors needed.

Not for use with Pneumatic Stunners.



Flip-open protective screen cover

Stun Tester Safety & Installation Instructions



SAFETY MESSAGES TO AVOID INJURY

Ensure that all employees who use this tester are trained in the proper use of the PAS Cartridge Stunner and are aware of the dangers that may arise if they do not follow procedures outlined in the tester and stunner operating manuals.

Remove and repair any PAS Cartridge Stunner that malfunction. All personnel must be instructed to remove any malfunctioning equipment.

The PAS Cartridge Stunner Tester is designed and intended to be powerful. This fact should be obvious to your employees, but you must emphasize it to them.

Ensure that all employees are instructed to stand clear of the tester during its use, and to never put fingers, hands or other parts of the body directly in front of the PAS Cartridge Stunner. Ensure eye and ear protection is worn at all times when operating the PAS Cartridge Stunner.

Never make modifications or alterations to the tester. Replace any missing or illegible labels.

Follow our installation and maintenance instructions for proper installation and care of the tester.

Avoid injury. Do not permit the tester to be misused.

If you resell or distribute a Jarvis product, you must provide the purchaser with the appropriate safety sheets and tool brochure. Additional copies of safety sheets and tool brochures will be provided upon request.

SAFETY MESSAGES TO OPERATORS, MAINTENANCE AND CLEANUP PERSONNEL

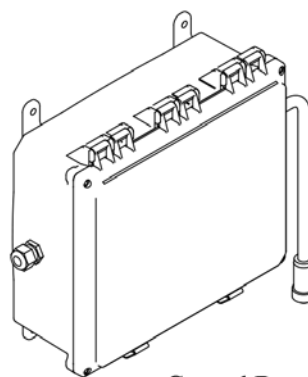
REMOVE ANY MALFUNCTIONING TOOL FROM SERVICE

REPORT ANY PROBLEMS TO YOUR SUPERVISOR

Disconnect the power in accordance with OSHA's lockout/tagout procedures (29 CFR 1910.147) before performing any repair, maintenance or cleanup.

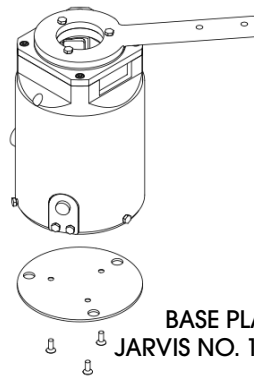
Never put fingers, hands or other parts of the body directly in front of the PAS Cartridge Stunner.

Always wear eye and ear protection when operating the tester. Never squeeze the trigger while inserting the PAS Cartridge Stunner into the tester.



Control Box

Tester Stand



BASE PLATE
JARVIS NO. 1175012

Power Requirements 30 W, 115 V / 0.3 A or 220 V / 0.2 A

Operating Voltage 115 V, 1 phase, 60 Hz
230 V, 1 phase, 50/60 Hz

Overall Dimensions (Ø x h or w x h x dp)

Test Stand 7 in x 10 in (178 mm x 254 mm)

Control Box 12 x 10 x 4 in (305 x 254 x 102 mm)

Weight:

Test Stand 23 lbs (10.4kg)

Control Box 5 lbs (2.4kg)

INSTALLATION INSTRUCTIONS

ALWAYS TURN THE POWER OFF IN ACCORDANCE WITH OSHA'S LOCKOUT/TAGOUT PROCEDURES (29 CFR 1910.147) BEFORE PERFORMING ANY MAINTENANCE OR REPAIRS.

1 Mount the Model AST-106 tester securely on a bench or tabletop in the vicinity of where the Model PAS Stunner is being used and/or maintained. Be sure to mount the safety plate (item 118) between the Model AST-106 and the bench.

1.1 Use the three (9/16) clearance holes to secure the housing and safety plate.

1.2 Make sure that the top of the housing is at a convenient height to facilitate insertion and extraction of the PAS Stunner.

2 Mount the control box in the vicinity of the test stand.

A six foot long cord with connector is provided.

3 The power requirement for the tester is 30 Watts at 115 VAC, 50/60 Hz or 230 VAC, 50/60 Hz

All wiring must be done in accordance with the national, state and local electrical codes.

4 Connect the control box to the test stand with the cable and connector provided.

CONTROL BOX SETUP & ADDITIONAL USAGE INSTRUCTIONS AVAILABLE UPON REQUEST

POWER ACTUATED STUNNERS (PAS) Power Load Cartridge Chart



=1000 cartridges per box



= 50 cartridges per tin

Reduced Design Cartridges .22 Caliber

ITEM NO.	DESCRIPTION .22R	ROUNDS PER PKG	APPLICATIONS
3028 35595	Pink Cartridge, 1.25 Grain	1000/box	
3028 35635		50/tin	
3028 77125	Purple Cartridge, 2.5 Grain	1000/box	
3028 36045		50/tin	
3028 77195	Green Cartridge, 3.0 Grain	1000/box	
3028 35645		50/tin	

Reduced Design Cartridges .25 Caliber

ITEM NO.	DESCRIPTION .25R	ROUNDS PER PKG	APPLICATIONS
3028 77225	Pink Cartridge, 1.25 Grain	1000/box	
3028 77285		50/tin	
3028 77275	Yellow Cartridge, 2.0 Grain	1000/box	
3028 77735		50/tin	
3028 77095	Blue Cartridge, 3.0 Grain	1000/box	
3028 77265		50/tin	
3028 77085	Orange Cartridge, 3.5 Grain	1000/box	
3028 77245		50/tin	
3028 77935	Black Cartridge, 4.0 Grain	1000/box	
3028 78135		50/tin	
3028 35685	Green Cartridge, 4.5 Grain	1000/box	
3028 35715		50/tin	
3028 77315	Red Cartridge, 6.0 Grain	1000/box	
3028 35735		50/tin	

Straight Design Cartridges .25 Caliber

ITEM NO.	DESCRIPTION .25S	ROUNDS PER PKG	APPLICATIONS
3028 35765	Yellow Cartridge, 2.0 Grain	1000/box	
3028 35785		50/tin	
3028 35555	Black Cartridge, 4.0 Grain	1000/box	
3028 35835		50/tin	
3028 35845		Black Cartridge, HMF, (lead free) 5.0 Grain 1000/box	
3028 35895	Red Cartridge NI, (Nickel) 6.0 Grain	1000/box	

KEY



SAFETY MESSAGES TO EMPLOYER AND SAFETY DIRECTOR



Jarvis Products Corporation and Bunzl shall not be responsible for any death, physical injury or property damage that is the result of the proper or improper use of this stunner.

This tool is classified as a power operated stunner. It has only one intended purpose – the stunning of live animals. Failure to read and properly execute the instructions and warnings in this manual could result in serious injury, death or damage to property.

Always treat this stunner as if it were loaded.

Do not attempt to practice loading or unloading with live cartridges without a thorough understanding of the safe operation of this stunner.

Always store and carry this stunner without live cartridges and with the safety cap rotated into the “S” safe position. Failure to do so could result in an unintentional discharge.

When you extend the cocking cap and depress the trigger, you must expect the stunner to fire and take full responsibility for your actions.

Keep out of reach of children.

SAFETY MESSAGES TO OPERATORS, MAINTENANCE AND CLEANUP PERSONNEL

Read through the entire manual before attempting to use the stunner.

When transporting this stunner, separate the breech housing from the breech cap housing to prevent the possibility of accidentally firing the stunner. Do not reassemble the housings until ready to load and fire the stunner.

Never carry loose cartridges outside of the ammunition canister or packaging container. Accidental discharge could occur.

Always treat this power actuated stunner as if it were loaded.

Never put your hand on the trigger until you are ready to use the stunner.

Never point this power actuated stunner at anything you do not intend to stun. Keep the nose pointed in a safe direction.



Never take anyone’s word that this power actuated stunner is unloaded. Clear it yourself with hand off the trigger and the nose pointed in a safe direction. Rotate outer safety cap to the “S” safe position. Remove breech housing while holding the rubber breech locking sleeve. Visually check to insure that no round is in the breech housing. If there is one, remove it.

Always ensure that stunning rod and nosepiece housing are clear of obstructions. Shooting a blocked power actuated stunner can result in serious injury or death and damage to the stunner.

Never carry the power actuated stunner cocked, loaded and ready to fire, as this practice could easily result in an unintentional discharge.

Do not carry a loaded stunner with a live round in the chamber while walking, running or crossing any obstacle where there is any possibility of slipping or falling, as this could lead to a possible unintentional discharge.

Never place the stunner against any hard or flat surface. The recoil could result in physical injury, death or property damage.

Always ensure that this power actuated stunner is in top working condition and that no internal parts have been damaged as a result of corrosion, improper maintenance or mishandling. If evidence of these conditions exist, have the stunner inspected by a competent person prior to use.

Always wear proper hearing and eye protection when using the power actuated stunner.

Never drink alcoholic beverages or take drugs prior to or during use or handling of this power actuated stunner.

Seek a doctor’s advice if you are taking medicine prior to engaging in any stunning activity.

Never leave a loaded power actuated stunner unattended.


Always ensure the power actuated stunner is unloaded and the outer safety cap is in the “S” safe position before laying it down or handing it to someone else.


Always keep the stunner in “S” safe position until ready to fire. Immediately unload and clear this stunner when stunning sequence has been completed.

Always make sure the stunner is unloaded before cleaning.


Power Actuated Stunners (PAS) TYPE-P Instructions

OPERATION INSTRUCTIONS

 Thoroughly read and understand all safety instructions and ensure that the stunner is in proper working condition before attempting to use this stunner.

1. Always keep the stunner pointed in a safe direction.
-  2. Holding stunner by its handle (item 218), retract hammer (item 209) until it clicks and locks in place. While still holding handle (item 218), retract firing block assembly (item 206) until it clicks in place. Stunner is now considered to be in "safe" mode. The stunner will not discharge if the trigger (item 221) is pulled. The cartridge breech hole in receiver housing (item 204) should now be exposed.
3. Ensure cartridge breech hole has no obstructions.
4. Load appropriate cartridge for your application. Never exceed the maximum specified grain load for your stunner. Maximum permissible grain load is etched on the receiver housing (item 204).
5. When ready to discharge the stunner, move the firing block assembly (item 206) forward until it clicks into place, covering the breech hole in the receiver housing (item 204). The stunner is now in the "fire" position.
6. Squeeze trigger (item 221) to activate stunner.
7. Fully retract hammer (item 209) and firing block assembly (item 206) to remove spent cartridge.
8. Leave stunner in "safe" position until ready to stun again.

MAINTENANCE INSTRUCTIONS

 Read thoroughly the entire manual before attempting to perform maintenance on the stunner. Always treat the stunner as if it were loaded. Make sure there is no cartridge in the receiver housing.

PRIOR TO USE OR DAILY:

Refer to cleaning tools supplied with stunner.

1. Clean stunning rod (item 106), nosepiece housing (item 101) and receiver housing (item 204) using supplied cleaning tools and user supplied gun powder solvent.
2. Wipe all metal surfaces with rag and gun oil.
3. Do not apply gun oil to stunning rod bumpers (item 104) or bumper washers (items 103 and 105).
4. Examine stunning rod bumpers (item 104), red bumper washer (item 103), blue bumper washer (item 105) and nosepiece lock washer (item 102). Replace if worn.
5. Put a drop of oil in the hole in the back of hammer (item 209). This hole leads directly to the hammer pivot pin (item 203).
6. Put a drop of oil on each side of the firing block assembly (item 206) where it slides through the receiver housing (item 204).

PISTOL DISASSEMBLY:

1. Remove nosepiece housing (item 101).
2. Remove stunning rod (item 106), blue bumper washer (item 105), stunning rod bumpers (item 104) and red bumper washer (item 103) from receiver housing (item 204).
3. Remove nosepiece lock washer (item 102) from nosepiece housing (item 101).
4. Release and remove catch plate assembly (item 213) by pushing the curled tab down.
5. Remove hammer and firing block pivot pins (items 202 and 203).
6. Remove hammer (item 209).
7. Remove firing block assembly (item 206), extractor (item 210), dog (item 211), dog rivet (item 212), firing pin (item 207), firing block bushing (item 208) and roll pin (item 205) as an assembly.
8. Remove hex nuts (item 227) and two handle retaining bolts (item 201).

9. Remove handle assembly (items 214-226).
10. Remove release pin (item 215) and release pin spring (item 216) from handle assembly.
11. Further disassembly is usually not required.

FIRING BLOCK AND FIRING PIN REMOVAL AND REPLACEMENT:

1. Remove firing block assembly (item 206) from receiver housing (item 204) as described above.
2. Remove extractor (item 210) from firing block assembly (item 206).
3. Scribe a line across firing block bushing (item 208) and firing block assembly (item 206) to ensure proper orientation of bushing during reassembly. This is required to facilitate reinstallation of roll pin (item 205).
4. Press out roll pin (item 205).
5. Using a soft drive pin, press on rounded tip of firing pin (item 207) to remove it and firing block bushing (item 208) simultaneously.
6. Install new firing pin (item 207) into firing block assembly (item 206), round end first.
7. Install firing block bushing (item 208) while keeping scribe lines in bushing and firing block assembly aligned.
8. Reinstall or replace roll pin (item 205).

PISTOL REASSEMBLY:

1. Install release pin spring (item 216) onto release pin (item 215).
2. Insert release pin and spring into handle (item 217) with flat side of pin on top.
3. Install handle assembly (items 214-226) into receiver housing (item 204).
4. Insert two handle retaining bolts (item 201) and secure with hex nuts (item 227), finger tight.
5. Assemble extractor (item 210) to firing block assembly (item 206).
6. Reassemble dog (item 211) and dog rivet (item 212) to firing block assembly (item 206) if they were removed.
7. Install firing block assembly with extractor, dog and dog rivet into receiver housing (item 204). Locate dog on top of ejector spring (item 224). The tang on extractor (item 210) goes underneath the ejector spring. The firing block assembly (item 206) goes on top of the ejector spring.
8. Insert firing block pivot pin (item 202).
9. Install hammer (item 209) onto release pin dowel (item 214).
10. Install hammer pivot pin (item 203).
11. Tighten hex nuts (item 227) enough to not restrict movement of hammer (item 209).
12. Install catch plate assembly (item 213) and lock into place by pushing the curled tab up.
13. Install the stunning rod (item 106), blue bumper washer (item 105), stunning rod bumpers (item 104) and red bumper washer (item 103) into receiver housing (item 204).
14. Install nosepiece lock washer (item 102) into nosepiece housing (item 101).
15. Install nosepiece housing (item 101) onto receiver housing (item 204) and hand tighten securely.


TROUBLESHOOTING INSTRUCTIONS




STUNNER FAILS TO FIRE:

1. Make sure firing pin (item 207) is not damaged or obstructed.
2. The fit between the receiver housing (item 204) and firing block assembly (item 206) is crucial to the safe and proper operation of this stunner. If the gap between these components becomes excessive (greater than 0.003 inch/0.076 mm) both the firing block assembly (item 206) and the hammer (item 209) should both be replaced.

Power Actuated Stunners (PAS) TYPE-C Instructions

OPERATION INSTRUCTIONS

 Thoroughly read and understand all safety instructions and ensure that the stunner is in proper working condition before attempting to use this stunner.

-  1. Rotate outer safety cap (item 109) until notch aligns with the green "safe" area. Stunner is now in "safe" mode.
2. Grasp stunner on rubber breech locking sleeve (item 103) while pointing the stunner in a safe direction.
3. Grasp breech cap housing (item 118) with the other hand and unscrew in a counterclockwise direction to reveal the cartridge breech (rear end of barrel where cartridge is loaded).
4. Ensure cartridge breech has no obstruction.
5. Retract stunning rod (item 209) by pushing with the spherical end of the cocking cap (item 112).
-  6. Load appropriate cartridge for your application. Do not exceed maximum specified grain load for your stunner. Maximum permissible grain load is etched on the nosepiece housing (item 205).
7. Keep stunner pointed in a safe direction and reassemble breech cap housing (item 118) to breech housing (101). Hand tighten securely.
8. Arm stunner by pulling back on cocking cap (item 112) until it clicks into position.
9. When completely ready to discharge stunner, rotate outer safety cap (item 109) to the "fire" position.
10. To discharge stunner, use one hand to grasp stunner by rubber breech locking sleeve (item 103). Use other hand to fully depress trigger (item 105) to fire stunner.
-  11. Rotate outer safety cap (item 109) until notch aligns with the green "safe" area. Stunner is now in "safe" mode.
12. Remove spent cartridge by redoing steps 1-3.


MAINTENANCE INSTRUCTIONS

PRIOR TO USE OR DAILY:

Refer to package 3180239 supplied with stunner.

1. Clean stunning rod (item 209) and nosepiece housing (item 205) using supplied cleaning tools and user supplied gun powder solvent.
2. Wipe all metal surfaces with rag and gun oil.
3. Do not apply gun oil to breech locking sleeve (item 103) and stunning rod bumpers (items 207 and 208).
4. Examine stunning rod bumpers (items 207 and 208) and nosepiece lock washer (item 206). Replace if worn.

DISASSEMBLY INSTRUCTIONS

 Read thoroughly the entire manual before attempting to assemble or disassemble this stunner. Always treat the stunner as if it were loaded. Make sure there are no cartridges in the breech housing.

1. Unscrew nosepiece housing (item 205) from breech housing (item 101).
2. Remove nosepiece lock washer (item 206) from nosepiece housing (item 205).
3. Remove stunning rod (item 209) with all bumpers (items 207 and 208) from breech housing (item 101).
4. To remove collar (item 201), press collar retaining pin (item 204) out of nosepiece housing (item 205).
5. Remove collar (item 201), ball (item 202) and rubber spring (item 203).
6. Slide breech locking sleeve (item 103) off breech housing (item 101).

7. Depress extractor retainer (item 120) until it bottoms out and then slide cartridge extractor (item 102) off breech housing (item 101).
8. Remove extractor retainer (item 120) and extractor retaining spring (item 119) from breech housing (item 101).
9. While depressing trigger (item 105), unscrew safety cap and firing pin assembly (items 106-116).
10. Remove trigger (item 105), trigger return spring (item 104) and o-ring (item 117) from breech cap housing (item 118).
11. Use two wrenches on flats to unscrew cocking cap (item 112) from pull bushing (item 114).
12. Remove rubber spring (113) from pull bushing (item 114) and o-ring (item 111) from cocking cap (item 112).
13. Rest tip of firing pin (item 106) and safety cap assembly (items 108-110 and 115) on a block of wood to prevent damaging firing pin tip. Push down on pull bushing (item 114) to expose split bushing halves (item 116). Remove two split bushing halves (item 116).
14. Slide pull bushing (item 114) over end of firing pin (item 106).
15. Remove firing pin spring (item 107) and safety cap assembly (items 108-110 and 115) from firing pin (item 106).
16. If necessary to disassemble safety cap: Align hole in safety cap assembly (items 108-110 and 115) by rotating the outer safety cap to the "fire" position. Drive stop pin (item 110) through hole inside inner safety cap (item 115). Unscrew outer safety cap (item 109) from inner safety cap (item 115). Remove and replace o-ring (item 108) and stop pin (item 110) if necessary.


ASSEMBLY INSTRUCTIONS

Reverse steps and procedures listed above.

1. Grease o-ring (item 108) after installing on inner safety cap (item 115).
2. Assemble outer safety cap (item 109) to inner safety cap (item 115) being careful to engage the thread on the green "safe" area, so when completely secured, the notch in the outer cap aligns with the red "fire" area. Restart the thread in another thread lead if necessary.
3. Assemble stop pin (item 110) and press into inner safety cap (item 115) until flush with back edge of outer safety cap (item 109).
4. Reverse steps 15 to 6. Tighten securely.
5. Grease o-ring (item 117) after installing onto breech cap housing (item 118).
6. Install rubber spring (item 203), then ball (item 202) and then collar (item 201) with small end pointing away from the bumpers (items 207 and 208).
7. Compress collar onto ball to facilitate press fit installation of collar retaining pin (item 204).
8. Grease nosepiece lock washer (item 206) and insert in nosepiece housing (item 205).
9. Install stunning rod (item 209) with all bumpers (items 207 and 208) into breech housing (item 101).
10. Screw nosepiece housing (item 205) onto breech housing (item 101) and hand tighten securely.


TROUBLESHOOTING INSTRUCTIONS



STUNNER FAILS TO FIRE:

-  1. Make sure outer safety cap (item 109) is in the "fire" position.
2. Make sure breech housing (item 101) is securely engaged to breech cap housing (item 118). Secure engagement is critical to the proper operation of this stunner and prevention of cartridge misfires and rim failures.
3. Check for debris in breech cap housing (item 118) bore.
4. Check to ensure breech locking sleeve (item 103) is fully seated on breech housing (item 101).


Power Actuated Stunners (PAS) TYPE-C CONCUSSION Instructions

OPERATION INSTRUCTIONS

 Thoroughly read and understand all safety instructions and ensure that the tool is in proper working condition before attempting to use this stunner.

1. Grasp stunner on nosepiece housing (item 209) while pointing the stunner in a safe direction.
2. Grasp trigger housing (item 109) with the other hand and unscrew in a counterclockwise direction to reveal the cartridge breech (rear end of barrel where cartridge is loaded).
-  3. Ensure cartridge breech has no obstruction.
4. Load appropriate cartridge for your application. Do not exceed maximum specified grain load for your stunner. Maximum permissible grain load is etched on the nosepiece housing (item 209).
5. Keep stunner pointed in a safe direction and reassemble trigger housing (item 109) to nosepiece housing (209). Hand tighten securely.
6. Arm stunner by pulling back on cocking cap (item 101) until it clicks into position.
-  7. To discharge stunner, use one hand to grasp stunner by knurled sections of nosepiece and trigger housings (items 209 and 109). Use other hand to fully depress trigger (item 107) with index finger to fire stunner.
8. Remove spent cartridge by redoing steps 1-2.

MAINTENANCE INSTRUCTIONS

 Read thoroughly the entire operator's manual before attempting to assemble or disassemble this stunner. Always treat the stunner as if it were loaded. Make sure there are no cartridges in the breech housing.

PRIOR TO USE OR DAILY:

Refer to cleaning tools supplied with stunner.

1. Clean stunning rod (item 206) and nosepiece housing (item 209) with user supplied gun powder solvent.
2. Wipe all metal surfaces with rag and gun oil.
3. Do not apply gun oil to bumpers (item 208) or bumper washers (item 207).
4. Examine bumpers (item 208), bumper washers (item 207) and nosepiece o-ring (item 203). Replace if worn.

DISASSEMBLY INSTRUCTIONS

Read thoroughly the entire manual before attempting to assemble or disassemble this stunner.

Always treat the stunner as if it were loaded. Make sure there are no cartridges in the breech block.

1. Unscrew nosepiece and breech housing assemblies (items 201-212) from trigger housing assembly (items 101-109).
2. Remove muzzle (item 212).
3. Unscrew breech (item 205) from nosepiece housing (item 209) and remove o-ring (item 203) from breech.
4. Using two wrenches, unscrew knocker head (item 211) from stunning rod (item 206).
5. Remove stunning rod (item 206), four bumpers (item 208) and two bumper washers (item 207) from nosepiece housing (item 209).
6. Unscrew cap (item 103) from trigger housing (item 109) while depressing trigger to remove firing pin assembly (items 101-105).
7. Remove trigger (item 107) and rubber insert (item 108) from trigger housing (item 109).
8. Remove o-ring (item 106) from trigger housing (item 109).
9. Unscrew cocking cap (item 101) from end of firing pin (item 105).
10. Remove rubber spring (item 102) from cocking cap (item 101).
11. Remove firing pin (item 105) and firing pin spring (item 104).
12. Remove firing spring (item 104) from firing pin (item 105).

ASSEMBLY INSTRUCTIONS

1. Reverse steps 12 to 9. Tighten securely.
2. Grease o-ring (item 106) after installing onto trigger housing (item 109).
6. Reverse steps 7 to 2.
7. Screw nosepiece and breech housing assemblies (items 201-212) onto trigger housing assembly (items 101-109) and hand tighten securely.


TROUBLESHOOTING INSTRUCTIONS



STUNNER FAILS TO FIRE:

1. Make sure nosepiece and breech housing assemblies (items 201-212) are securely engaged with trigger housing assembly (items 101-109). Secure engagement is critical to the proper operation of this stunner and the prevention of cartridge misfires and rim failures.

Power Actuated Stunners (PAS) TYPE-C IMPACT FIRE Instructions

OPERATION INSTRUCTIONS

 Thoroughly read and understand all safety instructions and ensure that the tool is in proper working condition before attempting to use this stunner.

1. Remove barrel assembly (items 101-109) from stunner cap assembly (items 110-118) by rotating the barrel assembly until the red dots are not aligned. Firmly pull barrel assembly from stunner cap assembly.
2. Ensure breech block (item 109) has no obstructions.
-  3. Load appropriate cartridge for your application. Do not exceed maximum specified grain load for your stunner. Maximum permissible grain load is etched on the breech block (item 109).
4. Hold the barrel (item 107) upright. Slide the stunner cap assembly (items 110-118) over the barrel assembly (items 101-109) with the red dots on each assembly not aligned.
5. Insert firmly until the brass balls (item 116) engage the detent in the barrel (item 107).
-  6. The stunner is now in the "safe" position (red dots not aligned).
7. Rotate the barrel assembly while holding the stunner cap assembly to align the red dots. The stunner is now in the "fire" position.
8. Firmly strike the muzzle end of the barrel against the intended target to discharge the stunner.
9. Rotate the barrel assembly while holding the stunner cap assembly until the red dots are not aligned. The stunner is now in the "safe" position.

MAINTENANCE INSTRUCTIONS

Read thoroughly the entire operator's manual before attempting to assemble or disassemble this stunner. Always treat the stunner as if it were loaded. Make sure there are no cartridges in the breech housing.

PRIOR TO USE OR DAILY:

Refer to cleaning tools supplied with stunner.

1. Clean stunning rod (item 106) and barrel (item 107) using supplied cleaning tools and user supplied gun powder solvent.
2. Wipe all metal surfaces with rag and gun oil.
3. Do not apply gun oil to stunning rod bumpers (item 104) or stunning rod washers (items 102, 103 and 105).
4. Examine stunning rod bumpers (item 104), red bumper washers (item 103), blue bumper washer (item 105) and nosepiece lock washer (item 102). Replace if worn.

DISASSEMBLY INSTRUCTIONS

Read thoroughly the entire manual before attempting to assemble or disassemble this stunner. Always treat the stunner as if it were loaded. Make sure there are no cartridges in the breech block.

1. Remove barrel assembly (items 101-109) from stunner cap assembly (items 110-118) by rotating the barrel assembly until the red dots are not aligned. Firmly pull barrel assembly from stunner cap assembly.
2. Remove two o-rings (item 117) from stunner cap housing (item 111).
3. Remove three stunner claws (item 115) and three brass balls (item 116) from stunner cap housing (item 111).
4. Unscrew firing pin (item 110) from stunner cap housing (item 111).
5. Unscrew muzzle (item 101) from barrel (item 107) using supplied spanner wrench.
6. Remove stunning rod (item 106), stunner bumpers (item 104), red bumper washers (item 103) and blue bumper washer (item 105) from barrel (item 107).
7. If necessary, remove breech block (item 109) by unscrewing it from barrel (item 107). Remove and replace four thread locking plugs (item 108).

ASSEMBLY INSTRUCTIONS

1. Insert three brass balls (item 116) into stunner cap housing (item 111).
2. Insert three stunner claws (item 115) into stunner cap housing (item 111).
3. Install two O-rings (item 117) over stunner claws (item 115) and brass balls (item 116) to secure them in stunner cap housing (item 111).
4. Apply a medium strength thread locking compound to threads of firing pin (item 110) before installing firing pin into stunner cap housing (item 111).
5. Insert four thread locking plugs into pockets on breech block (item 109).
6. Thread breech block (item 109) into barrel (item 107).
7. Install stunning rod (item 106), blue bumper washer (item 105), stunner bumpers (item 104) and red bumper washers (item 103) into barrel (item 107).
8. Install nosepiece lock washer (item 102) onto muzzle (item 101). Then screw muzzle into barrel (item 107). Tighten with supplied spanner wrench.

TROUBLESHOOTING INSTRUCTIONS

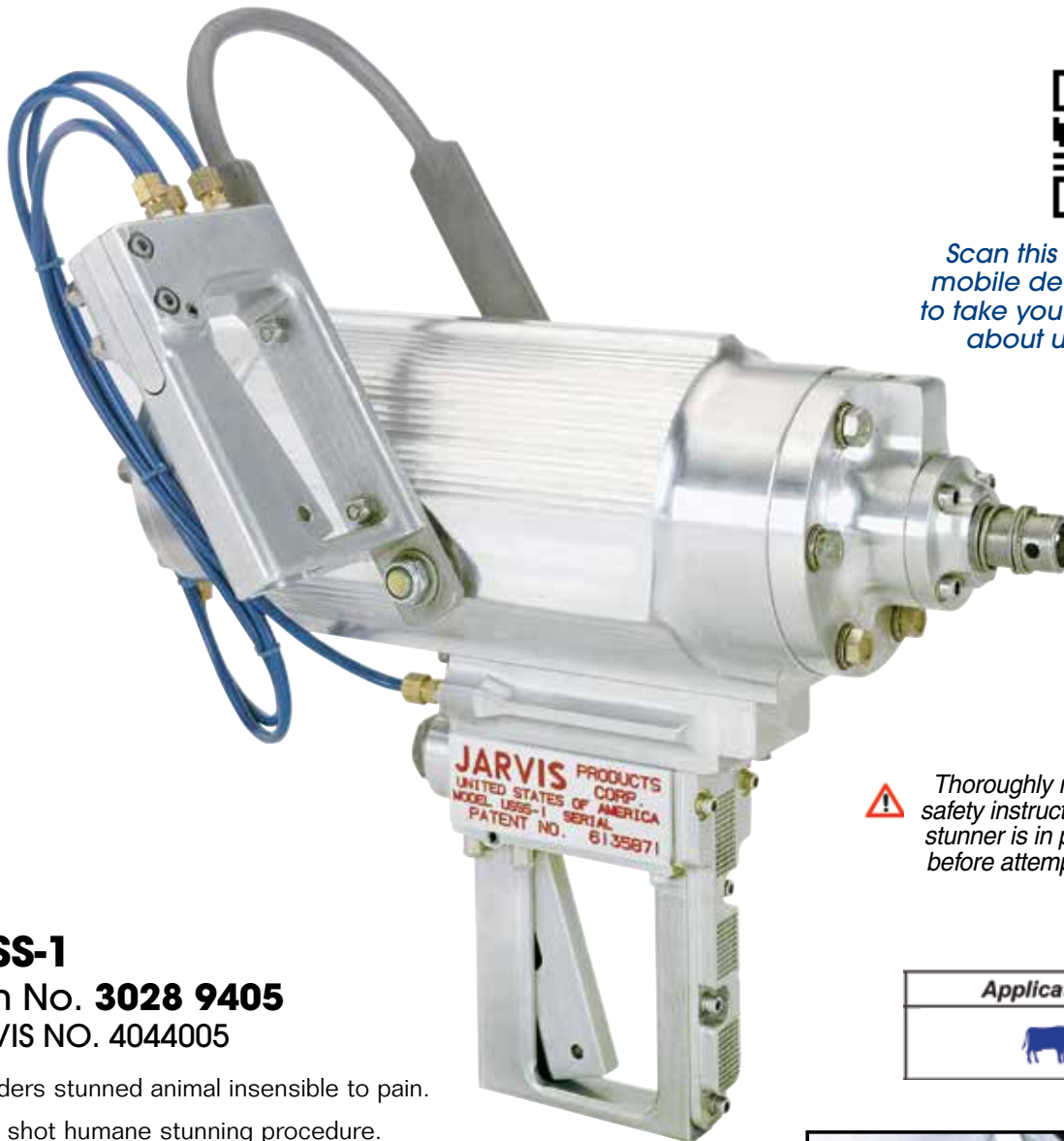
STUNNER FAILS TO FIRE:

1. Make sure red dots on the stunner claws (item 115) and barrel (item 107) are aligned.
2. Make sure breech block (item 109) and stunner cap housing (item 111) are free of debris or obstructions.
3. Make sure firing pin (item 110) is not worn or damaged.

JARVIS®

USSS-1 Penetrating Pneumatic Stunner

Pneumatically operated high speed captive bolt stunner for cattle.



Scan this QR code with your mobile device QR reader app to take you directly to our video about using this product.

⚠ *Thoroughly read and understand all safety instructions and ensure that the stunner is in proper working condition before attempting to use this stunner.*

USSS-1

Item No. **3028 9405**

JARVIS NO. 4044005

- Renders stunned animal insensible to pain.
- One shot humane stunning procedure. Fires only once — no multiple firing.
- Better stunning for improved meat quality.
- Air operated with no air injection.
- Easy to handle and safe to operate.
- Low recoil or kick back.
- Easy to repair and clean.
- Lightweight — tool only weighs 32.4 pounds (14.7 kg).



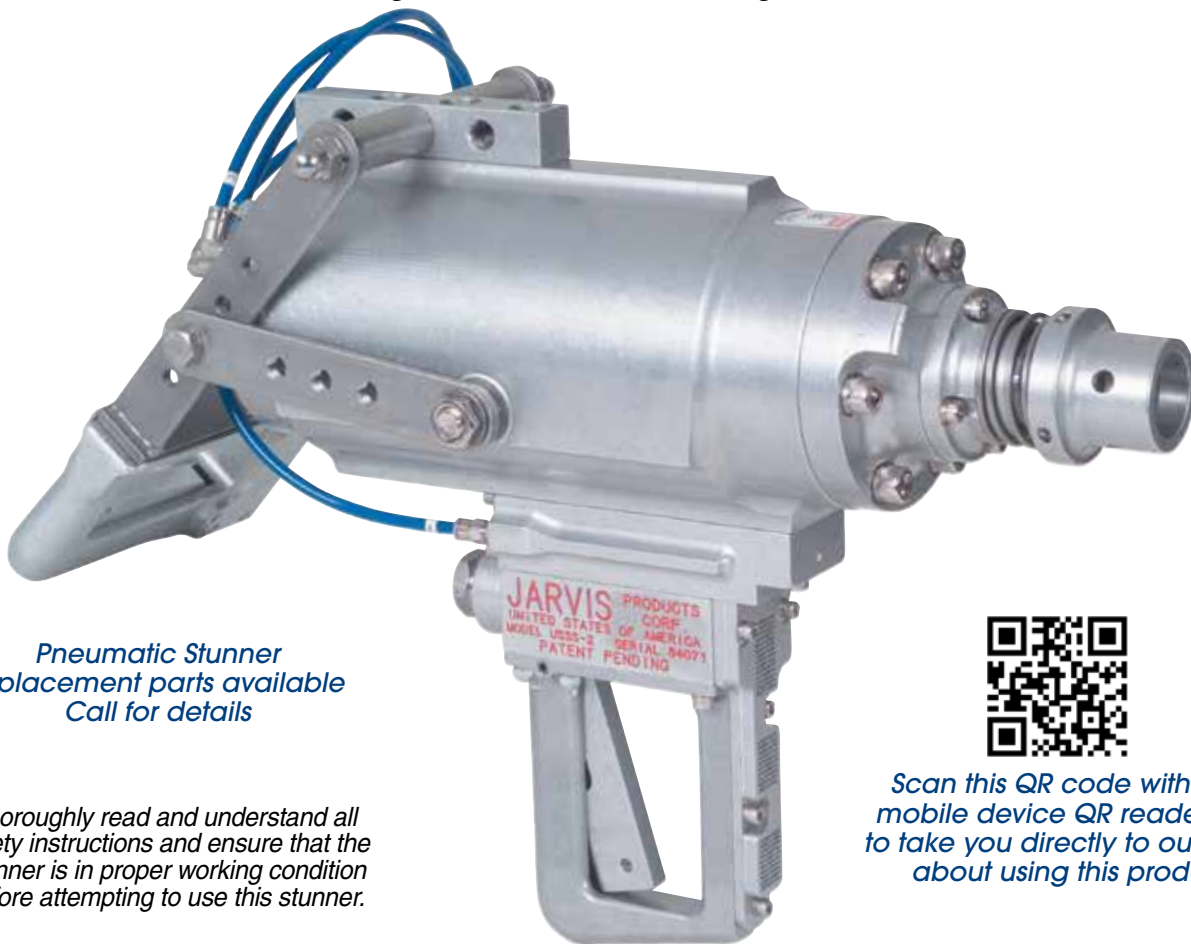
Two hand control for safer operation.

**USE WITH KROMER™ BALANCERS.
SEE PAGES 422-423 OF OUR BUYERS GUIDE OR
VISIT WWW.PACKERSKROMER.COM**

JARVIS®

USSS-2A Non-Penetrating Pneumatic Stunner

Pneumatically operated high-speed, non-penetrating stunner for cattle and veal.



*Pneumatic Stunner
replacement parts available
Call for details*



*Scan this QR code with your
mobile device QR reader app
to take you directly to our video
about using this product.*



*Thoroughly read and understand all
safety instructions and ensure that the
stunner is in proper working condition
before attempting to use this stunner.*



USSS-2 A Non-Penetrating Stunner with head type restrainer

USSS-2A

Item No. **3028 87171**

JARVIS NO. 4044010

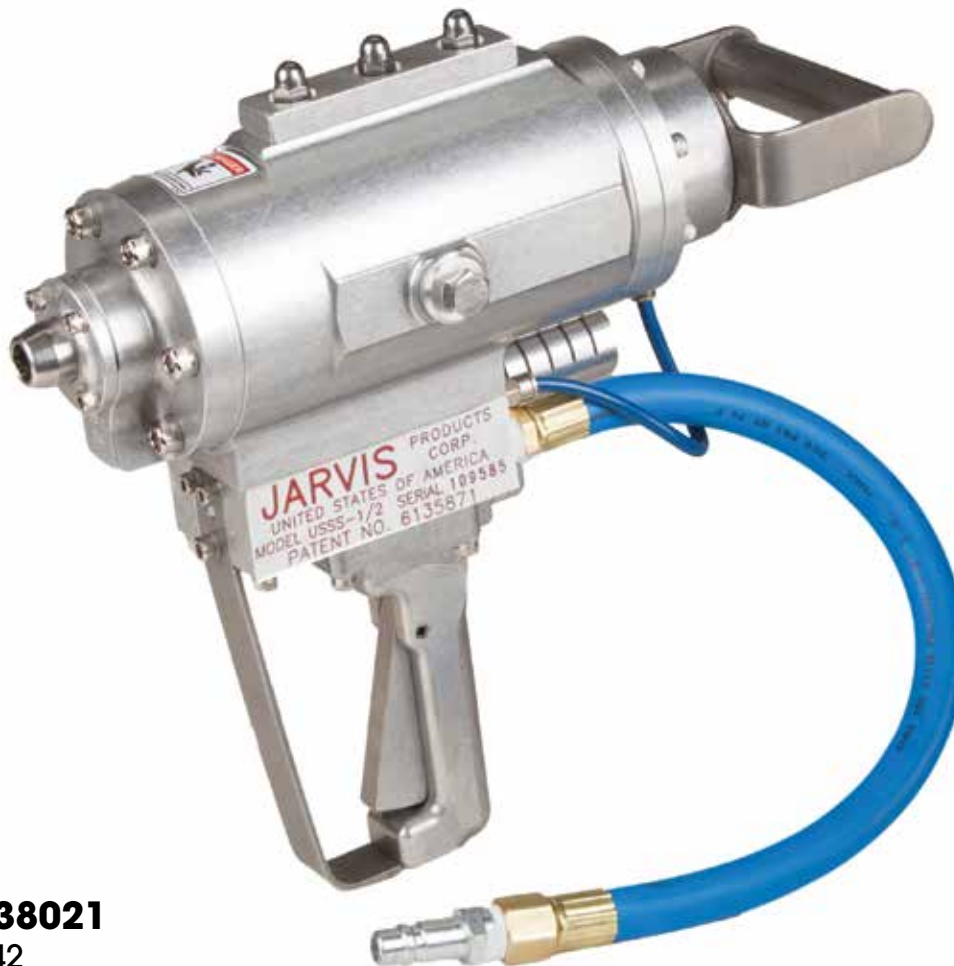
- Renders stunned animal insensible to pain.
- One shot humane stunning procedure.
Fires only once — no multiple firing.
- Better stunning for improved meat quality.
- Air operated with no air injection.
- Two hand control for safer operation.
- Easy to handle and safe to operate.
- Low recoil or kick back.
- Lightweight — tool only weighs 32.4 pounds (14.7 kg).
- Easy to repair and clean.

USE WITH KROMER™ BALANCERS.

**SEE PAGES 422-423 OF OUR BUYERS GUIDE OR
VISIT WWW.PACKERSKROMER.COM**

JARVIS®

USSS-1/2 Size Penetrating Pneumatic Stunner



USSS-1/2

Item No. **3028 38021**

JARVIS NO. 4044042


- Renders stunned animal insensible to pain.
- One shot humane stunning procedure.
Fires only once — no multiple firing.
- Better stunning for improved meat quality.
- Air operated with no air injection.
- Dual handles with trigger control for easier handling and operation -- less operator fatigue.
- Low recoil or kick back.
- Easy to repair and clean.
- Lightweight — tool only weighs 15.5 pounds (7.03 kg).

*Pneumatic Stunner
replacement parts available
Call for details*

Applications



USE WITH KROMER™ BALANCERS.
SEE PAGES 422-423 OF OUR BUYERS GUIDE OR
VISIT WWW.PACKERSKROMER.COM

 *Thoroughly read and understand all safety instructions and ensure that the stunner is in proper working condition before attempting to use this stunner.*

JARVIS®

Pneumatic Stunner Tester

For use with JARVIS pneumatic stunners.

- Fast, accurate tool for testing and calibrating Jarvis' pneumatic stunners.
- Safe and precise method for testing stunners.
- Durable construction ensures long service life.
- Economical and simple to operate.
- Lightweight, easy to assemble and store.

NOT for use with PAS - Power Actuated Stunners.



AST-101 Pneumatic Stunner Tester



AST-101

for use with USSS-1
Item No. **3028 1256**
JARVIS NO. 4016004

- 115 Volt

AST-102

for use with USSS-2
Item No. **3028 60481**
JARVIS NO. 4016007

- 115 Volt

Item No. **3028 60491**

JARVIS NO. 4016008

- 230 Volt

AST-103

for use with USSS-2A
Item No. **3028 87111**
JARVIS NO. 4016009

- 115 Volt

Item No. **3028 60501**

JARVIS NO. 4016010

- 230 Volt



AST-102 Pneumatic Stunner Tester





No claim made or implied the KnockerVest™ can or will protect users from impact by a non-forming projectile. Read product specifications carefully before use.

KnockerVest™ with Detachable Groin Protector

Designed for body protection while using stunning equipment.

- Made of Twaron® ballistics (wrapped in a water resistant package) that meet the highest standards for soft body armor.
- Back of vest is made of a tough, breathable open nylon mesh that is made to withstand multiple washings.
- Groin protector and cover are both sold separately.
- The ballistics are backed with 1/2" closed-cell foam and inserted in a 1,000 denier Cordura carrier vest coated with a urethane film for even more water resistance.
- Adjustable shoulder straps ensure a great fit.

KnockerVest™ is a trademark of JHRG Manufacturing LLC.



BREATHABLE NYLON MESH BACK



EASILY DETACHABLE GROIN BALLISTICS PROTECTION



CHEST BALLISTICS PROTECTION IS EASILY REMOVED TO CLEAN VEST

- KnockerVest, Size: Large/22"
Item No. **4009 0102**

- KnockerVest, Size: X-Large/24"
Item No. **4009 0103**

- Groin Protector Pad w/ 3-snap attachment
Item No. **4009 0104**

- Groin Protector Cover, color: black
Item No. **4009 0010**

DON'T FORGET TO USE EYE & EAR PROTECTION

3M™ OX™ 2000 Safety Glasses

Fits over most prescription lenses.

- DX™ anti-fog hard coat protects lens from fog, scratching, and most chemicals.
- Adjustable length Secure Grip™ temple fits virtually any size face.
- Lightweight, seamless lens with built-in side shields.
- Meets the requirements of ANSI Z87.1-2003 and CSA Z94.3-2007.
- Black frame, clear lens.



Item No. **3207 21661**

QM24+® Earmuffs

- Ultra lightweight design.
- Multiple-position headband: over the head, behind the head or under the chin.



NRR-25

Item No. **3140 46201**

Complete JARVIS® Cleaning Tool Kit



Cleaning Tool Kit

Item No. **3028 36241**

JARVIS NO. 3161006

Includes 1-each of tools #1-11 shown

- Hexagon Wrench
- Push Rod
- Pick
- Undercut Cleaner
- Spanner (Wrench)
- 16 mm Cone Wrench
- 14 mm Cone Wrench
- Breech Cleaner Assembly
- Manual Extractor
- Hand Brush
- Tool Roll



CLEANING TOOLS

Everything you need to help keep your stunner performing at its optimum.



ITEM NO.	JARVIS NO.	#	DESCRIPTION
3028 36901	8139147	01	HEXAGON WRENCH
3028 78251	8133013	02	PUSH ROD
3028 36261	8137019	03	PICK
3028 77681	8137018	04	UNDERCUT CLEANER/SCRAPER
3028 78391	8130074	05	SPANNER (WRENCH)
3028 78231	8130076	06	16 MM CONE WRENCH
3028 78221	8130075	07	14 MM CONE WRENCH
3028 77751	8137017	08	BREECH CLEANER
3028 36271	8132003	09	MANUAL EXTRACTOR/PRY BAR
3028 36311	8137020	10	WIRE HAND BRUSH
3028 36331	1171638	11	ROLL-UP TOOL POUCH
Call for details	1171629	12	STEEL CLEANING BRUSH, SMALL
3028 77881	1171627	13	STEEL CLEANING BRUSH, LARGE
3028 77831	1119309	14	STEEL BRUSH HANDLE
3028 77631	1171012	15	BRASS CLEANING BRUSH
3028 38001	1171013	16	COTTON CLEANING BRUSH
3028 38011	1119002	17	BRASS BRUSH HANDLE
3028 77861	1162047	18	ANTI-SEIZE GREASE, 4-OZ.

Check out more Processing Tools & Accessories available on our website:
www.bunzlpd.com



G96 Gun Oil Stunner Cleaning Solvent

We highly recommend using G96 when cleaning your stunner!

- 16-oz.
Item No. **3028 78211**
- 12-oz.
Item No. **3948 0096**

DuraPro® XCP Boot

- Sloped comfort top rim prevents chafing and reduces discomfort when walking, bending and kneeling.
- Larger circumference at the top makes it quick and easy to pull the boot on.
- Inner liner allows for increased flexibility and subtle feel at the calf.
- Conformance information molded in sidewall for easy identification.
- Wider metatarsal design and comfort ankle for all day comfort.
- DuraPro® insoles provide superior shock absorption, support and comfort.
- Honeycomb design molded inside the heel to reduce impact when walking.
- Ergonomically designed foot-bed to provide better underfoot support.



Plain Toe available.
Call for details or
order online www.bunzlpd.com

Brown DuraPro® XCP Superpoly Upper

For use in the red meat industry where high chemical resistance is required.



Chevron Sole.

ITEM NO.	STEEL TOE	SIZE
3161 46541	Men's,	Size 4
3161 46551		Size 5
3161 46561		Size 6
3161 46571		Size 7
3161 46581		Size 8
3161 46591		Size 9
3161 46601		Size 10
3161 46611		Size 11
3161 46621		Size 12
3161 46631		Size 13
3161 46641		Size 14
3161 46651		Size 15
3161 46661		Size 16



Safety-Loc Sole.

Blue DuraPro® XCP Polyblend Upper

For use in the poultry industry where moderate chemical resistance is required.



Steel Toe or Plain Toe options.

ITEM NO.	STEEL TOE	SIZE
3161 49541	Men's,	Size 4
3161 49551		Size 5
3161 49561		Size 6
3161 49571		Size 7
3161 49581		Size 8
3161 49591		Size 9
3161 49601		Size 10
3161 49611		Size 11
3161 49621		Size 12
3161 49631		Size 13
3161 49641		Size 14
3161 49651		Size 15
3161 49661		Size 16



Foot Protector for Shoes WITH laces
Item No. **5140 2101**



Foot Protector for Shoes WITHOUT laces
Item No. **5140 0107**

Stainless Steel Foot Protectors

- For best protection, the guard should be positioned so that it rests upon the steel toe of shoe or boot.
- Stainless steel shell with aluminum rivets.
- For use on Mens' shoes/boots sizes 6-13. Sold per pair.



F.O.B. FACTORY



KOLDWEAR®

KOOLERWEAR®

RefrigiWear®

INSULATED CLOTHING, FROCKS & LINERS
available in our Buyers Guide Catalog
or order on our website:
www.bunzlpd.com



NorthFlex Cold Grip™ Gloves

Foamed PVC palm-coated, lined gloves

- Recommended for temperatures down to -15° F (-26° C).
- Seamless brushed synthetic liner provides superior insulation from the cold.
- Form fitting design.
- Provides excellent wet and dry grip.

Honeywell
NORTH



ITEM NO.	SIZE
3476 86351	Size 8/Medium
3476 86361	Size 9/Large
3476 86371	Size 10/X-Large
3476 86381	Size 11/2X-Large



V-GARD® Safety Hard Hat

Lightweight and comfortable to wear all day.

- Injection molded of non-conductive high-density polyethylene.
- Meets requirements for Type 1, ANSI/ISEA Z98.1-2009 (Class E) and CSA Z94.1-2005 (Class E)
- Provides a minimum safety crown clearance of 1-1/4" between top of head and shell.
- Choose from 13 colors.



Slotted design for hard hat accessories



Includes Staz-On suspension



Optional Ratchet-style replacement suspension

ITEM NO.	COLOR
3085 71271	White
3085 71291	Green
3085 71281	Blue
3085 71301	Yellow
3085 71311	Red
3085 71321	Orange
3085 71331	Gray
3085 48511	Gold
3085 11801	Tan
3085 31111	Light Blue
3085 11241	Burgundy
3085 53641	Pink
3085 52301	Hot Pink (ratchet style)
3085 79211	Replacement Staz-On Suspension
3085 87081	Replacement Ratchet Suspension



More Gloves & Safety Products

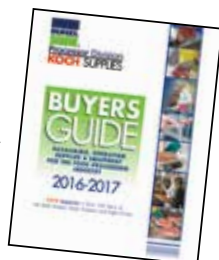
available in our

Buyers Guide Catalog

CALL TO REQUEST YOUR **FREE COPY**

or order on our website:

www.bunzlprd.com



Nitrile Disposable Gloves

- Fingertip texture improves grip without sacrificing dexterity.
- 9" glove length. • Ambidextrous. • More colors & styles available, Call for details.

350 SERIES ECONOMY

- 2.5 mil. at the palm.



Powder-Free

> 100 per box — 10 boxes per case.

ITEM NO.	SIZE
E542 02175	Small
E542 02195	Medium
E542 02155	Large
E542 02165	X-Large
E542 32205	2X-Large



Latex FREE

450 SERIES INDUSTRIAL

- 3.5 mil. at the palm.



Powder-Free

> 100 per box — 10 boxes per case.

ITEM NO.	SIZE
7500 86295	Small
7500 86395	Medium
7500 86495	Large
7500 86595	X-Large
7500 86695	2X-Large



Visit our website to find more
CUT-RESISTANT GLOVES, SLEEVES & APRONS

www.bunzlprd.com



WE HAVE SO MUCH MORE TO OFFER

This stunner catalog showcases our humane stunning supplies and equipment, but we have so much more to offer. Our inventory includes over 35,000 ready-to-ship items from 14 distribution centers serving Central and North America, including the Caribbean and Mexico!

Additional supplies and equipment available in our Buyers Guide catalog.

*Call to request your **FREE** copy!*

800-456-5624

Or, visit us online



También ofrecemos asistencia al cliente en español. Llame al 800-746-7990 para comunicarse con uno de nuestros representantes bilingües.

CUSTOMER SERVICE FROM PEOPLE WHO CARE

Bunzl Processor Division establishes close relationships with our vendors, and because of this our customer service representatives are experts on all the products that we sell — giving them a professional working knowledge of how these products best serve the food processing industry.

Whether you have a rush order or need to arrange regular shipments, you can count on us for the friendliest, most dependable service. Our experienced staff will answer your questions on pricing, product availability and any other technical questions you may have, as well as take your order.

WE OFFER THE INVENTORY AND PARTS THAT YOU NEED — WHEN YOU NEED THEM

We offer product categories such as clothing, jan/san, material handling, plant remodeling, safety, cutlery, scales, thermometers, processing supplies, seasonings, packaging and maintenance, repair and operation supplies (MRO). Our inventory includes over 35,000 ready-to-ship items, so you don't have to wait long to receive the supplies you need. We are committed to getting your order shipped to you fast and complete — it's that simple.



Shop our website 24/7! It's the best way to always find current pricing.

Stay connected with us:



**SIGN UP FOR OUR
eDEALS**



Exclusive offers that will not be found anywhere else!
eDeal sign-up form is available on our website.

www.bunzlpd.com • 800-456-5624

Ready to shop?
www.bunzlpd.com

will take you directly to our website.
The easy-to-navigate category links show all the products that are available on our website. From clothing to cleaning products and from cutlery to packaging supplies, you will find everything at your fingertips.

BUNZL PROCESSOR DIVISION DISTRIBUTION CENTERS

Our inventory includes over 35,000 ready-to-ship products from 14 distribution centers serving Central and North America, including the Caribbean and Mexico.



Springdale, AR
Fresno, CA
Frederick, CO
Atlanta, GA
Eldridge, IA
Liberal, KS
Austin, MN
North Kansas City, MO
St. Pauls, NC
Omaha, NE
Fairfield, OH
York, PA
Dallas, TX
Spokane, WA

WWW.BUNZLPD.COM

Stay connected with us:



528 East 19th Avenue
North Kansas City, MO 64116
800-456-5624



Scan this QR code with your mobile device for a direct link to our website.